

tii 320, 321, 325, & 326

Total Failsafe® TFS® Station Protectors

Molded of Flame Retardant Plastic
Material

Comes Complete with Cover and
Fastening Nut

Expandable to Two-Pair

Fully Encapsulated Module

Integral Failshort and Airgap
Backup Features

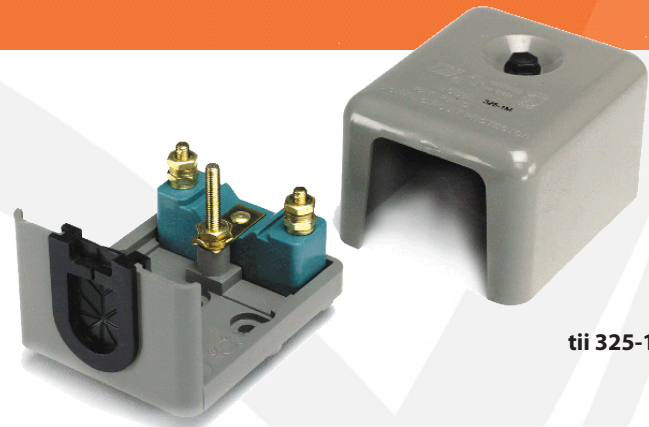
Listed to UL 497



tii network technologies

141 Rodeo Drive
Edgewood, NY 11717
T. 631.789.5000
Toll Free 888.844.4720
F. 631.789.5063
sales@tiinettech.com

www.tiinettech.com



tii 325-1M

The tii Total Failsafe® TFS® Station Protectors consist of a mounting base, protector module, grommet, and fitted cover with nylon fastening nut.

KEY PRODUCT BENEFITS

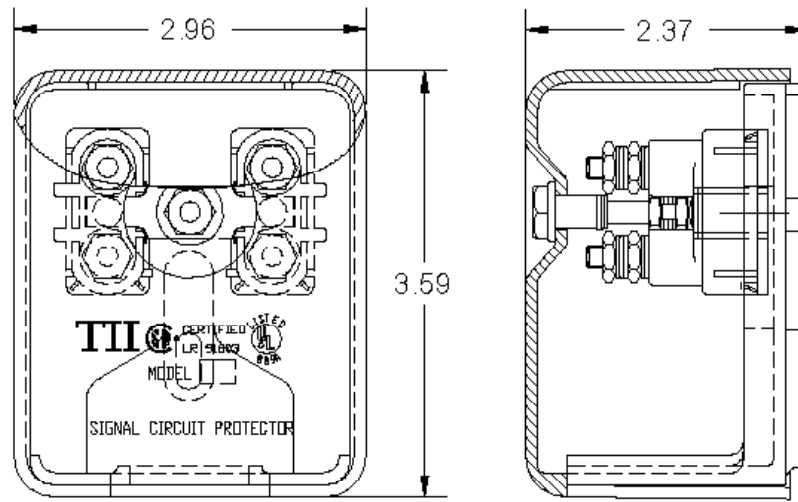
- ▶ The cover is molded from a flame-retardant plastic material and fits securely to the base for maximum protection against intrusion of insects and foreign matter.
- ▶ A captive nylon nut is provided to give a degree of tamper-proofing, and for easy installation and removal.
- ▶ A large grommet in the base allows ample room for drop, ground and station wiring to enter and exit the protector.
- ▶ A ground stud is centrally located for grounding and bonding the shield of buried drop, as well as to secure the module and cover.
- ▶ The tii 325 comes equipped with the tii 355 TFS® Maximum Duty three-electrode protector module installed.
- ▶ The tii 326 comes equipped with the tii 356 TFS® Heavy Duty three-electrode protector module installed.
- ▶ The tii 321 comes equipped with the tii 126 TFS® Heavy Duty two-electrode protector module installed.
- ▶ The protector base has both vertical and horizontal module wells. The tii 126 module is normally mounted in the right side vertical well. The left well can be used to mount a second tii 126 module for two-pair protection. The horizontal wells are provided for mounting the tii 355 Maximum Duty and tii 356 Heavy Duty three-electrode TFS® protector modules.
- ▶ Other tii station protector modules may be provided in the tii 320 unit.
- ▶ Units may be ordered with one or two protector modules installed.
- ▶ A one-pair station protector can be upgraded to a two-pair station protector simply by adding a second module. This saves both maintenance time and the need to either add a second single-pair station protector or replace it with a two-pair station protector.
- ▶ tii station protectors are designed for service in all environments, giving many years of low maintenance while providing a high level of protection.

INDUSTRY STANDARDS

- ▶ Telcordia GR-1361-CORE.
- ▶ Listed to UL 497.

PLEASE REFER TO <http://www.tiinettech.com/> FOR THE LATEST REVISION

tii 320, 321, 325, & 326



Dimensions are in Inches

ORDERING INFORMATION

Model No.	Description
tii 320-(XX)-1	XX = Station Protectors
tii 320-(XX)-2	50 = 355MT 51 = 127M 71 = AD-01W-FS 72 = AD-02W-FS 73 = AD-M2-W-FS 76 = AD-03W-FS
tii 321-1-(*)	One Pair Heavy Duty Station Protector Equipped with one (1) tii 126 Protector Module ^o
tii 321-2-(*)	Two Pair Heavy Duty Station Protector Equipped with two (2) tii 126 Protector Modules ^o
tii 325-1M	One Pair Maximum Duty Station Protector Equipped with one (1) tii 355M Protector Module ^o
tii 325-2M	Two Pair Maximum Duty Station Protector Equipped with two (2) tii 355M Protector Modules ^o
tii 326-1-(*)	One Pair Heavy Duty Station Protector Equipped with one (1) tii 356 Protector Module ^o
tii 326-2-(*)	Two Pair Heavy Duty Station Protector Equipped with two (2) tii 356 Protector Modules ^o

* Insert letter L or M in place of (*).

"L" designates a protector module meeting specific Bell System Requirements.

"M" designates a protector module meeting RUS and PEG and other industry requirements.

Both "L" and "M" types are UL Listed.

^oPlease refer to the respective data sheets for description and specifications of the tii TFS[®] Totel Failsafe[®] Protector Module.

Standard Package: 50 Pieces

Weight: 0.42 lbs each