



Arlington®

# INNOVATIVE PRODUCTS FOR Low Voltage • Audio • Video Security • Datacom Systems



SAVE TIME • SOLVE PROBLEMS • LOOK GREAT

# PRODUCTS FOR THE PROS

## Contents

Mounting Brackets.....	3-6
Round Mounting Bracket.....	30
Low Profile Extra-Duty Box Covers.....	15
Non-metallic Cover for Electrical Box.....	32
The Scoop™ Cable Entry Devices.....	7
The Scoop™ Entrance Plates.....	8
Cable Hangers & Supports.....	9
Non-Metallic Bushings, Cord Grips.....	11
Wire Management.....	10-12
Cable Clips, Straps, Rings, J-Hooks, Supports	
Heavy-duty Enclosure Boxes.....	13
IN BOX® Recessed Exterior Boxes.....	14
Plastic Recessed TV Box™.....	16-22
Non-metallic Covers for TV Box.....	21
TV Bridge™ Kits.....	23-26
Steel Recessed TV Boxes.....	27-28
Security.....	29-33
Camera Mounting Kits, Boxes	
GARD-N-POST™ Supports, Enclosures.....	35
Fan/Fixture Installation.....	34
Kits for Suspended Ceilings	
Joist-Mount, Press-hold Boxes	
Flip Top Box Kits.....	36-37
Floor Box Kits.....	38-39



Arlington is a leading manufacturer of traditional and unique electrical and low voltage products. Since 1949 we have grown with the industry to produce better products that solve jobsite challenges, meet code requirements, enhance safety and save time.



**Arlington®**



# Mounting Brackets for Class 2 Low Voltage Wiring

## Fast, Easy Installation in Existing Walls!

### Wing Design

Centered mounting wing screws hold bracket secure, flush to wall

### Recessed Screw Hole and Thin Front Lip

(and mounting wings) seat wall plate flush

### Notches

level, center bracket

### Oval Hole

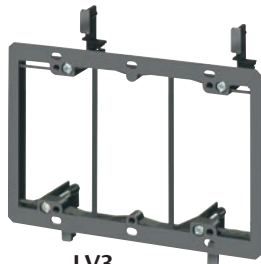
For leveling of device

**LV1**  
Single-gang  
Low Voltage  
Mounting Bracket

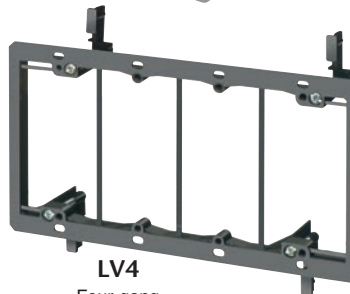
**Installs  
in 3  
minutes**



**LV2**  
Two-gang



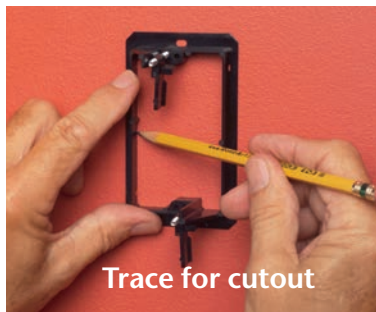
**LV3**  
Three-gang



**LV4**  
Four-gang



Level



Trace for cutout

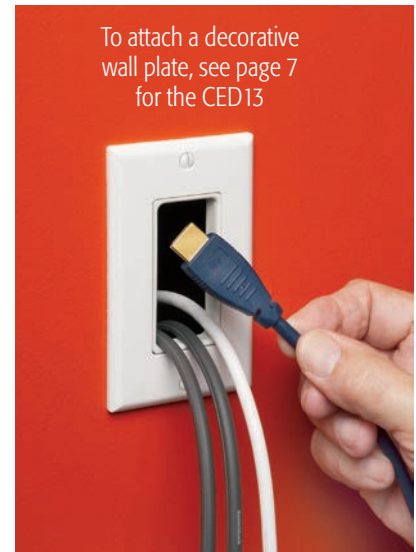
Arlington's non-metallic, **Low Voltage Mounting Brackets** are the time- and money-saving solution for faster and easier mounting of Class 2 communications, computer and cable TV wiring.

*The bracket is its own template.*

Level the bracket on the wall, then use the bracket as a guide for the cutout by tracing a line around the inside of the bracket.

Designed to mount wall plates flush, our mounting brackets offer features – specially designed screw holes and more – that deliver a better-looking, easy-to-install job.

- LV1 through LV4 adjusts to fit 1/4" to 1" wall thicknesses
- UL/CSA Listed



To attach a decorative wall plate, see page 7 for the CED13



**NEW**

### SPECIAL USE

Mounting Brackets for:

- Cast concrete or block
- New Construction

See pages 4 and 5 for details.

CATALOG NUMBER	UPC/DCI/NAED MFG. #018997	DESCRIPTION for Existing Construction	UNIT PKG	STD PKG
LV1	58175	Single-gang	10	100
LV2	10952	Two-gang	5	50
LV3	09600	Three-gang	5	50
LV4	09601	Four-gang	5	50



Made in USA



**Arlington®**

# SPECIAL USE Mounting Brackets for Class 2 Low Voltage Wiring

Our **single-gang, Low Profile Mounting Brackets** make quick work of installations using 1/2" or 5/8" drywall installed on furring strips attached to concrete walls.

For existing construction, our low-profile, low-voltage non-metallic mounting brackets...

- Adjust to fit 1/4" to 1" drywall, wallboard or paneling
- Install faster – cost less than metal
- Single- and two-gang styles
- UL/CSA Listed



## Low profile mounting brackets for installations on cast concrete or concrete block walls



### Wing Design

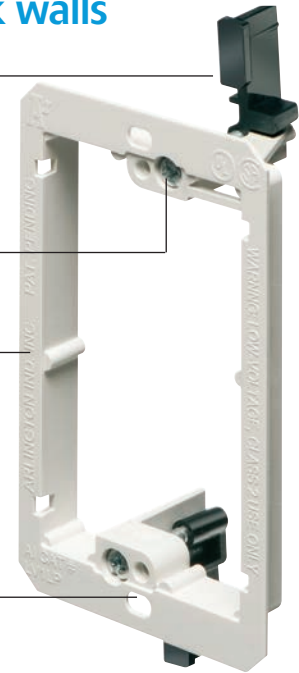
Centered mounting wing screws hold bracket secure, flush to wall

### Recessed Screw Hole and Thin Front Lip

(and mounting wings seat wall plate flush)

### Oval Hole

Allows leveling of device



Made in USA

CATALOG NUMBER	UPC/DCI/NAED MFG. #018997	DESCRIPTION FOR EXISTING CONSTRUCTION	UNIT PKG	STD PKG
LV1LP	58177	Single-gang/Low Profile	10	100
LV2LP	23102	Two-gang/Low Profile	5	50

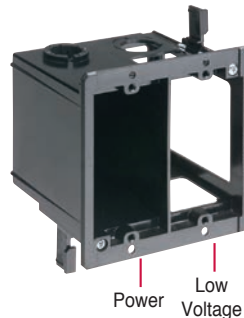


These non-metallic, **Combination Power/Low Voltage Boxes** offer the best way to neatly install low voltage installations, such as phone/cable outlets, and fiber optic cable – and power – in the same box.

- Save time and money
- Two hour fire rating
- UL listed

**TWO HOUR FIRE RATING**

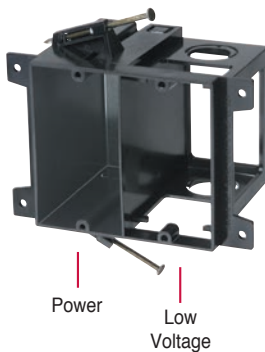
LVDR2 for Retrofit



### LVDR2 For Retrofit

- Fast and easy installation
- Adjusts to fit 1/4" to 1-1/2" thick wallboard, paneling or drywall
- For raceway, the low voltage side provides a combo 1/2" and 3/4" KO
- Protects cable from damage
- Mounting wing screws hold box securely in place
- Includes installed NM connector on power side

LVD2 for New Work



SCREW onto Metal Stud



Easy, NAIL ON Installation

### LVD2 For New Work

- For wood stud installation, LVD2 features parked-in-place nails ready for use
- For metal stud installation, LVD2 features screw holes on either side of the front flange (screws not included)
- For raceway, low voltage side provides combo 1/2" and 3/4" KO
- Includes installed NM connector on power side



Patented • Made in USA

CATALOG NUMBER	UPC/DCI/NAED MFG. #018997	DESCRIPTION COMBO BOXES	UNIT PKG	STD PKG
LVDR2	01000	Power/Low Voltage Box • Retrofit	25	25
LVD2	10957	Power/Low Voltage Box • New Work	25	25





# Nail-on or Screw-on Mounting Brackets

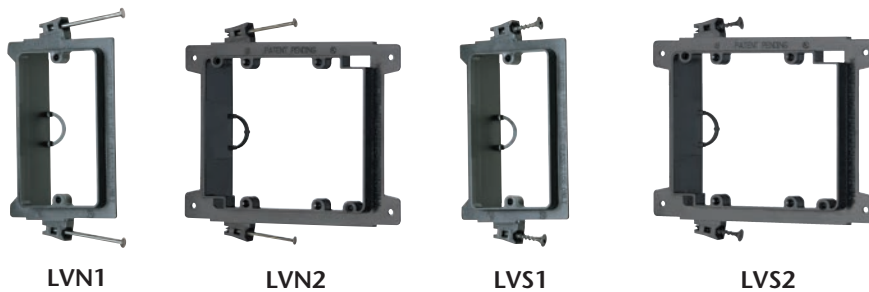
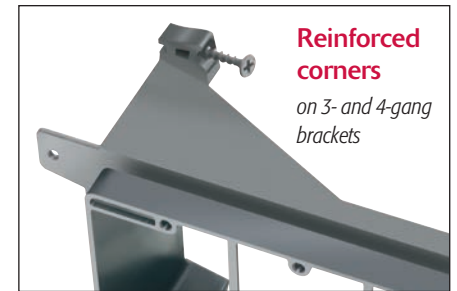
## Install on wood or metal studs in NEW Construction



Just **nail or screw** these **Non-metallic Brackets** to a wood or steel stud – and you're ready to install low voltage Class 2 wiring!

- Lower cost than extension rings or mud rings
- Ready to install - nails or screws come parked-in-place
- Built-in loop for tying off cable
- Easy, secure mounting of bracket to studs with nails or screws
- Allows wall plate to mount flush with wall surface
- UL/CSA Listed

**25% faster installation than steel or plastic mud rings!**



### NAIL on low voltage mounting brackets:

CATALOG NUMBER	UPC/DCI/NAED MFG #01 8997	DESCRIPTION FOR NEW CONSTRUCTION	UNIT PKG	STD PKG	HEIGHT	WIDTH	DEPTH
LVN1	00261	Single-gang	50	50	4.170	2.810	1.500
LVN2	00275	Two-gang	25	25	4.170	5.492	1.500
LVN3	00277	Three-gang	10	10	4.170	7.804	2.624
LVN4	00278	Four-gang	10	10	4.170	9.617	2.624

**Corners on the 3- and 4-gang styles are reinforced for added support against the stud.**

### SCREW on low voltage mounting brackets:

CATALOG NUMBER	UPC/DCI/NAED MFG #01 8997	DESCRIPTION FOR NEW CONSTRUCTION	UNIT PKG	STD PKG	HEIGHT	WIDTH	DEPTH
LVS1	00262	Single-gang	50	50	4.170	2.810	1.500
LVS2	00280	Two-gang	25	25	4.170	5.492	1.500
LVS3	00282	Three-gang	10	10	4.170	7.804	2.624
LVS4	00283	Four-gang	10	10	4.170	9.617	2.624



# Low Voltage Mounting Brackets for NEW Construction

- Non-metallic
- Sturdy tabs provide extra-secure horizontal or vertical mounting of class 2, low voltage wiring.
- Convenient wire tie-off through slot at top
- **Costs 20% less than metal extension rings!**
- UL/CSA Listed

Versatile LVH1K permits use of 3/4" EMT or 1" fitting



LVH1K

LVH1



**Cost less than metal extension rings**



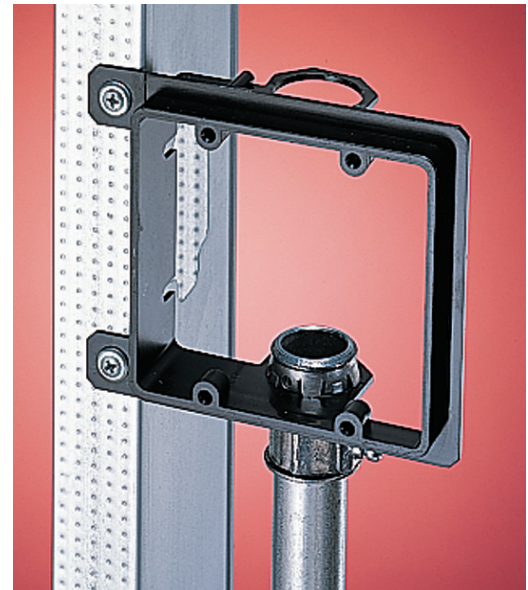
LVH1

CATALOG NUMBER	UPC/DCI/NAED MFG. #018997	DESCRIPTION FOR NEW CONSTRUCTION	UNIT PKG	STD PKG
LVH1K	10984	Single-gang • 3/4" and 1" knockouts	50	50
LVH1	10979	Single-gang	50	50

- Non-metallic
- For communications, cable TV, and computer wiring
- Permits the use of 3/4" raceway
- Works with 1/2" or 5/8" drywall
- Available in single- and two-gang styles
- UL/CSA Listed



LVMB1



CATALOG NUMBER	UPC/DCI/NAED MFG. #018997	DESCRIPTION FOR NEW CONSTRUCTION	UNIT PKG	STD PKG
LVMB1	14364	Single-gang	10	100
LVMB2	14365	Two-gang	5	50



LVMB2





# THE SCOOP™ Cable Entry Devices

## The attractive way to organize and protect cable

Arlington's **Cable Entry Devices** deliver an aesthetically pleasing installation, while organizing and protecting low voltage cable against abrasion. CED13 and CED130 have mounting holes for the attachment of a decorator-style wall plate to the low voltage side of a box...providing added support to the installation.

Our heavy-duty Cable Entry Devices are available with a Slotted or Brush Style Cover. They hold low voltage cable neatly in place while allowing the pass-through of even the largest HDMI connectors.

**Protect,  
Organize  
Cable**



CED13



CED130



CED135



CED135 in TVBU505 box



CED130 in TVBU505 box



CED135WP installed



CED13 secures wall plate to box



CED13 Cable Entry Device



CED130WP installed

CATALOG NUMBER	UPC/DCI/NAED MFG #01 8997	DESCRIPTION	UNIT PKG	STD PKG
CED13	13000	Device	1	25
CED130	13015	Device w/ slotted cover	1	25
CED130WP	11020	Device (slotted) w/ wall plate	1	10
CED135	04096	Device w/ brush style cover	1	25
CED135WP	11021	Device (brush) w/ wall plate	1	10

All include (2) #6 screws

All SCOOP Entry Devices are available in Black.

*To order in black, add suffix 'BL' to catalog number, i.e. CED13BL*



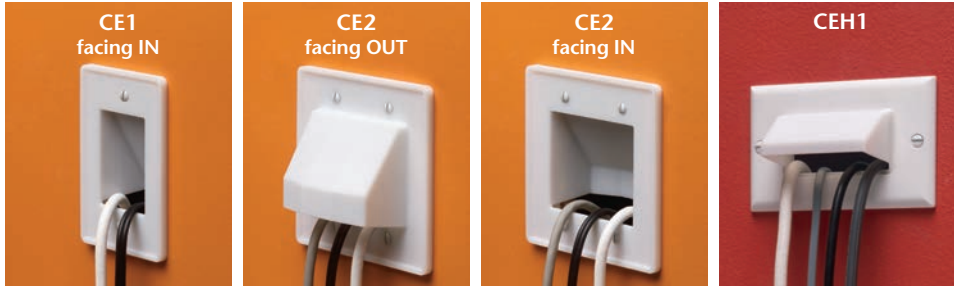
Patented • Made in USA

Arlington®

# THE SCOOP™ Reversible Entrance Plates

## Good Looks • Installation Versatility

### PLATES that install facing IN or OUT



CATALOG NUMBER	UPC/DCI/NAED MFG. #018997	DESCRIPTION	UNIT PKG	STD PKG
CE1	10460	CABLE ENTRANCE PLATE, FACES IN OR OUT Single-gang	1	25
CE2	10461	Two-gang	1	25
CEH1	10480	Single-gang horizontal	1	25

Includes #6 screws



CATALOG NUMBER	UPC/DCI/NAED MFG. #018997	DESCRIPTION	UNIT PKG	STD PKG
CED1	10465	WHITE NON-METALLIC CABLE ENTRANCE HOOD Single-gang	1	25
CEDH1	10478	Single-gang • Horizontal	1	25

Includes #6 screws

### PLATES with removable lower plate for easy access to already installed cables



CATALOG NUMBER	UPC/DCI/NAED MFG. #018997	DESCRIPTION	UNIT PKG	STD PKG
CER1	10473	WHITE NON-METALLIC CABLE ENTRANCE PLATE Single-gang, w/ removable lower plate	1	25
CER2	10474	Two-gang, w/ removable lower plate	1	25

Includes #6 screws

Get The SCOOP™ non-metallic, **Reversible Entrance Hoods and Plates**. They not only protect cable, but deliver good looks and installation versatility.

- Easy to install facing IN or OUT
- Protect low voltage cable against damage
- Non-rusting white paintable plastic
- Best way to run low voltage cable where you need it

Arlington plates and hoods mount to a box or our LV1 thru LV4 series low voltage mounting brackets. CED1 is designed especially for decorator style wall plates. In addition to great looks, you get installation versatility with the 'face in' or 'face out' orientation.

For added convenience and cost savings, you can fit HDMI and larger cable connectors through the single-gang horizontal style (CEH1) – without needing a two-gang plate.

The lower plate on the CER1 and CER2 is removable to allow installation after cables have been installed.

for Horizontal Applications



All SCOOP Plates available in Black.

To order in black, add suffix, 'BL' to catalog number, i.e. CER1BL



Patented • Made in USA



## The LOOP™ Cable Hanger

**Flexible Hanger** supports communications cable... CAT 5, 6, 7 cable and fiber optic cable

CATALOG NUMBER	UPC/DCI/NAED MFG #01 8997	LOOP SIZE	# CAT 5 CABLES	UNIT PKG	STD PKG	LENGTH	WIDTH	LOAD RATING
TL20	38084	2"	60	100	100	11.375	.652	25
TL25	38085	2-1/2"	100	50	50	12.250	1.500	25
TL2520	22031	2-1/2"	100	20	20	12.250	1.500	25
TL50	38086	5"	300	25	25	22.500	5.000	75
TL20P*	38087	2"	60	100	100	11.375	.652	25
TL25P*	38088	2-1/2"	100	50	50	12.250	1.500	25
TL50P*	38089	5"	300	25	25	22.500	5.000	75

\*"P" indicates UV Rated.

Holds cable without sagging, bending or damage.



Made in USA



## Cable Way™ Cable Support System

UL Listed **Cable Runway Support System** for new work or retrofit

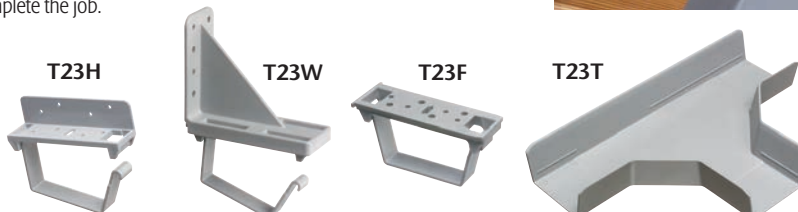
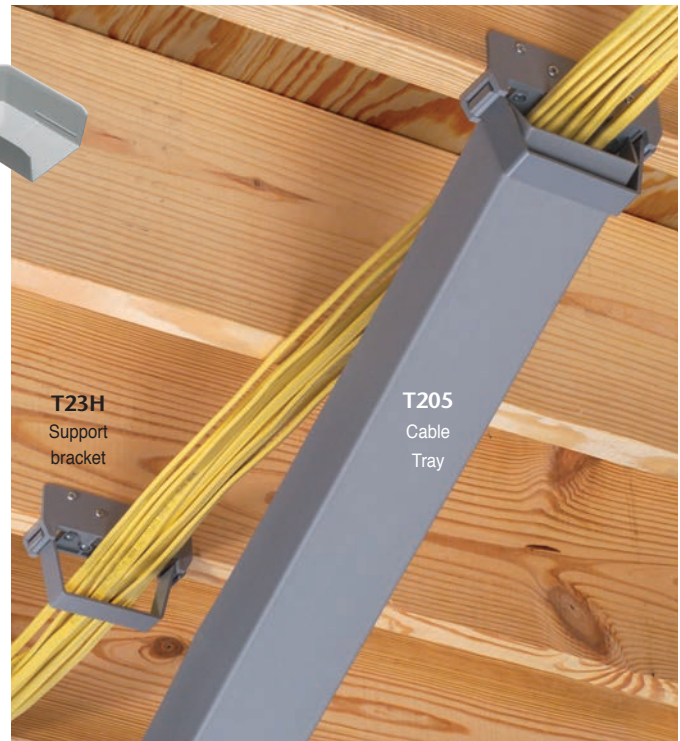
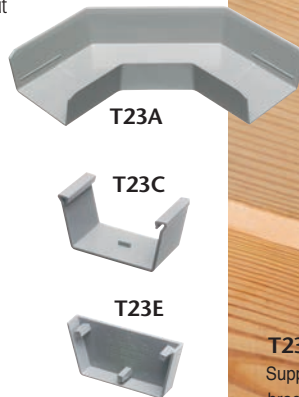
CATALOG NUMBER	UPC/DCI/NAED MFG #01 8997	DESCRIPTION RUNWAY SUPPORT SYSTEM	STD PKG
T205*	38060	Cable Tray • 5 ft Lengths	10
T23A	38065	Angle	10
T23C	38061	Coupling	10
T23E	38062	End Cap	10
T23F	38066	Flat Surface Bracket	25
T23H	38063	Support Bracket	25
T23T	38067	Tee	10
T23W	38068	Wall Mount Bracket	10

\* Max load rating: 6 lbs per lineal ft of runway

**Cable Way™ Cable Support System** non-metallic components get the job done quickly and easily. Saves time. No drilling into joists.

**Support Brackets** attach directly to framing members, without structural damage. They hold cables securely in place, and open for easy cable insertion!

The **Slide-On Trough** covers and protects cable. To add length, install more sections. Join them together with **Coupling**. **Angles** and **Tees** make turning corners a breeze. Push-on **End Caps** complete the job.



Patented • Made in USA



# Innovative Products for Wire Management



## Snap-on Wire Clip

Positions, protects cable. Easy, no-tool snap-on installation. Snaps onto sheet metal frame up to .080" thick. Holds one or two cables. Ideal for solar panel installation.

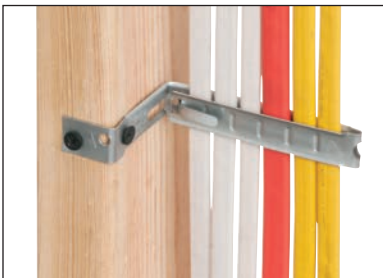
CATALOG NUMBER	UPC/DCI/NAED MFG #01 8997	DESCRIPTION WIRE CLIP	UNIT PKG	STD PKG
SC200SS	22712	Stainless steel	100	1000
SC100	06300	Plated spring steel	100	1000



## Non-Metallic Cable Strap

Secure positioning, fastening or routing of 14/2 and 12/2 flat NM or UF cable on concrete block – or a wood stud. Easy nail-on installation.

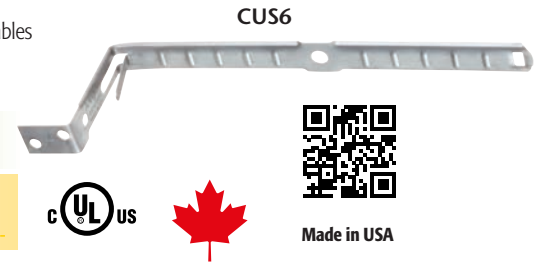
CATALOG NUMBER	UPC/DCI/NAED MFG #01 8997	UNIT PKG	STD PKG
300	20820	100	5000



## Galvanized Steel Cable Support

Easy to install. Economical... holds up to six individual NM cables (four MC cables) secure, centered on a wood or metal 2x4.

CATALOG NUMBER	UPC/DCI/NAED MFG #01 8997	CAPACITY NO. OF CABLES	UNIT/STD PKG
CUS6	20827	(6) NM on 2x4 (4) MC on 2x4	100

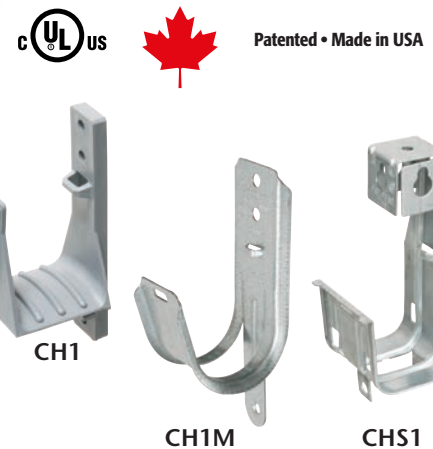


## J Hooks for Communications Cable

Available in heavy duty **Plastic** and two styles in **Steel**, our **Cable Hooks** are super convenient for communications cable.

CATALOG NUMBER	UPC/DCI/NAED MFG #01 8997	DESCRIPTION CABLE HOOK	UNIT/STD PKG
CH1	10950	Extra-duty plastic	50
CH1M	72172	Steel	50
CHS1	72260	Steel, multi-directional	50

- 25 lb Support Rating – maintains integrity of high performance data cable
- Supports up to 90 Cat 5e cables with center radius of bundle spread over 2" opening
- Listed for air handling spaces per NEC 300.22 (c)
- Easy to attach to various supports, beam clamps and strut. Usable on large panels to ensure proper bend radius
- Stackable in parallel or perpendicular orientation for vertical support of multiple cable tiers





# Non-Metallic Bushings Cable Protection at its Best

## Bushings, Conduit Caps for EMT

Made in USA 

Plastic **Bushings for 1/2" to 4" EMT, rigid and PVC** meet NEC code requirements for 300.15(c) protection.

Listed for environmental air handling spaces per NEC code 300.22(c).



Yellow plastic **Conduit Cap and Insulating Bushings for 1/2" to 4" EMT.**

Use this capped version to seal off conduit when pouring concrete. Remove cap with a razor knife, or make a hole with a screwdriver.



Patented

\*Can also be used for rigid, IMC, and PVC rigid conduit.

CATALOG NUMBER	UPC/DCI/NAED MFG #01 8997	TRADE SIZE	UNIT PKG	STD PKG
EMT50	12200	1/2	100	1000
EMT75	12205	3/4	100	1000
EMT100	12220	1	100	100
EMT125	12225	1-1/4	100	100
EMT150	12230	1-1/2	100	100
EMT200	12235	2	50	50
EMT250*	12240	2-1/2	25	25
EMT300*	12245	3	25	25
EMT350*	12250	3-1/2	25	25
EMT400*	12255	4	25	25

CATALOG NUMBER	UPC/DCI/NAED MFG #01 8997	TRADE SIZE	UNIT PKG	STD PKG
EMT50C	12203	1/2	100	1000
EMT75C	12204	3/4	100	1000
EMT100C	12207	1	100	100
EMT125C	12209	1-1/4	100	100
EMT150C	12211	1-1/2	100	100
EMT200C	12213	2	50	50
EMT250C*	12215	2-1/2	25	25
EMT300C*	12217	3	25	25
EMT350C*	12219	3-1/2	25	25
EMT400C*	12221	4	25	25

CATALOG NUMBER	UPC/DCI/NAED MFG #01 8997	TRADE SIZE SPLIT BUSHINGS	UNIT PKG	STD PKG
EMT200S	15301	2	50	50
EMT250S*	12270	2-1/2	25	25
EMT300S*	12271	3	25	25
EMT350S*	12272	3-1/2	25	25
EMT400S*	22001	4	25	25



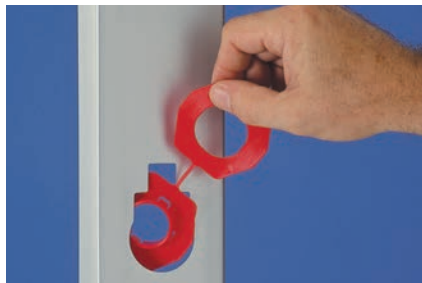
\* Can also be used for rigid, IMC, and PVC rigid conduit.



## Snap-In Bushings for Metal Studs

4400  
Made in USA

CATALOG NUMBER	UPC/DCI/NAED MFG #01 8997	TRADE SIZE SNAP IN BUSHINGS	UNIT PKG	STD PKG
4400	04400	1/2	100	1000
4401	04401	3/4	100	1000
4402	04402	1	50	500
4403	04403	1-1/4	25	250
4404	04404	1-1/2	25	250
4405	04405	2	20	200
4406	04409	2-1/2	20	200



## Non-Metallic Bushings for Metal Studs

Non-metallic SB13 bushings **fit existing irregular shaped holes** and standard 1" knockout in metal studs. No need to punch holes, so no weakening of structural member.

CATALOG NUMBER	UPC/DCI/NAED MFG. #018997	STUD SIZE	STD PKG
SB13	40115	2 x 4	500
SB130	40130	2 x 4	100



## Cord Grips for Photovoltaic Applications

Connects multiple cables into solar, fittings, raceways, and combiner or junction boxes.

- UV rated for reliable outdoor use
- For cables .225 to .255 – Ideal for #10 PV cables
- Unique gripping action separates, holds cables in place

CATALOG NUMBER	UPC/DCI/NAED MFG #01 8997	TRADE SIZE	NUMBER OF CABLES	UNIT PKG	STD PKG
NMPV75	00730	3/4	1 to 5	25	25
NMPV100	76870	1	1 to 9	25	25
NMPV125	76871	1-1/4	1 to 13	25	25



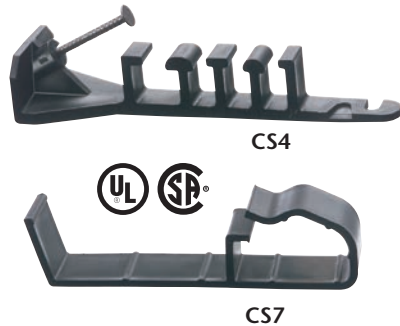
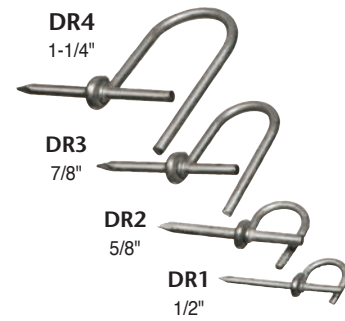
# Innovative Products for Wire Management



## Galvanized Drive Rings

Supports wire runs on walls, studs, rafters.

CATALOG NUMBER	UPC/DCI/NAED MFG #01 8997	DESCRIPTION DRIVE RING	UNIT PKG	STD PKG
DR1	01551	1/2"	100	1000
DR2	01552	5/8"	50	500
DR3	01553	7/8"	50	500
DR4	01554	1-1/4"	25	250



## Cable Standoffs, Cable Spacers

Positions non-metallic sheathed cable, phone/data cable, and coaxial cable. Installs with a screw or nail. Nail included with CS4.



CATALOG NUMBER	UPC/DCI/NAED MFG #01 8997	STD PKG	STAND OFF LENGTH
CS4	50174	100	4.100
CS7	71007	100	3.490

CATALOG NUMBER	UPC/DCI/NAED MFG #01 8997	STD PKG	CABLE SPACER
CS14	33827	250	Nail on
CS14SC	01573	250	Screw on

NOTE: For positioning only.

Made in USA

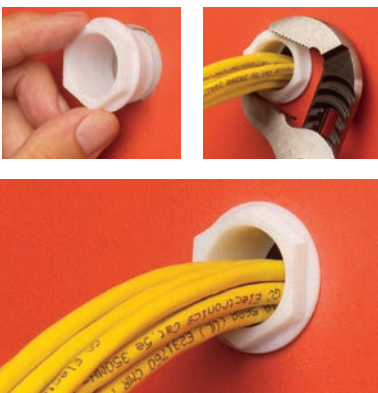
Made in USA



## "D" Rings

Non-conductive. Smooth bearing surfaces for easy wire management.

CATALOG NUMBER	UPC/DCI/NAED MFG #01 8997	WIRING SPACE	STD PKG	HEIGHT	OUT TO OUT WIDTH	O.C. BETWEEN OUTER SCREW HOLES	O.C. BETWEEN INNER SCREW HOLES	INSIDE WIDTH
D22	40022	2.25 x 2	100	2.756	4.867	4.381	3.137	1.498
D33	40033	3.25 x 3.25	100	3.768	6.117	5.631	4.387	2.553
D35	40035	3.25 x 5	100	3.730	8.268	7.782	6.538	4.711



## Wire Bushings

For installing low voltage wires/cables, such as speaker wire, through drywall.

- Use common drill and/or hole saw
- For single or double drywall thicknesses
- Provides smooth exit/entry of cables
- Protects drywall from chipping or flaking
- Made of high-impact plastic
- Color: Paintable white

CATALOG NUMBER	UPC/DCI/NAED MFG #01 8997	HOLE SIZE*	SIZE OF OPENING	STD PKG
WB500	52950	0.500	.43	100
WB875	52951	0.875	.75	100
WB112	52952	1.125	1.00	50
WB200	52953	2.125	2.00	50

Patented





# Indoor/Outdoor Heavy-Duty Box

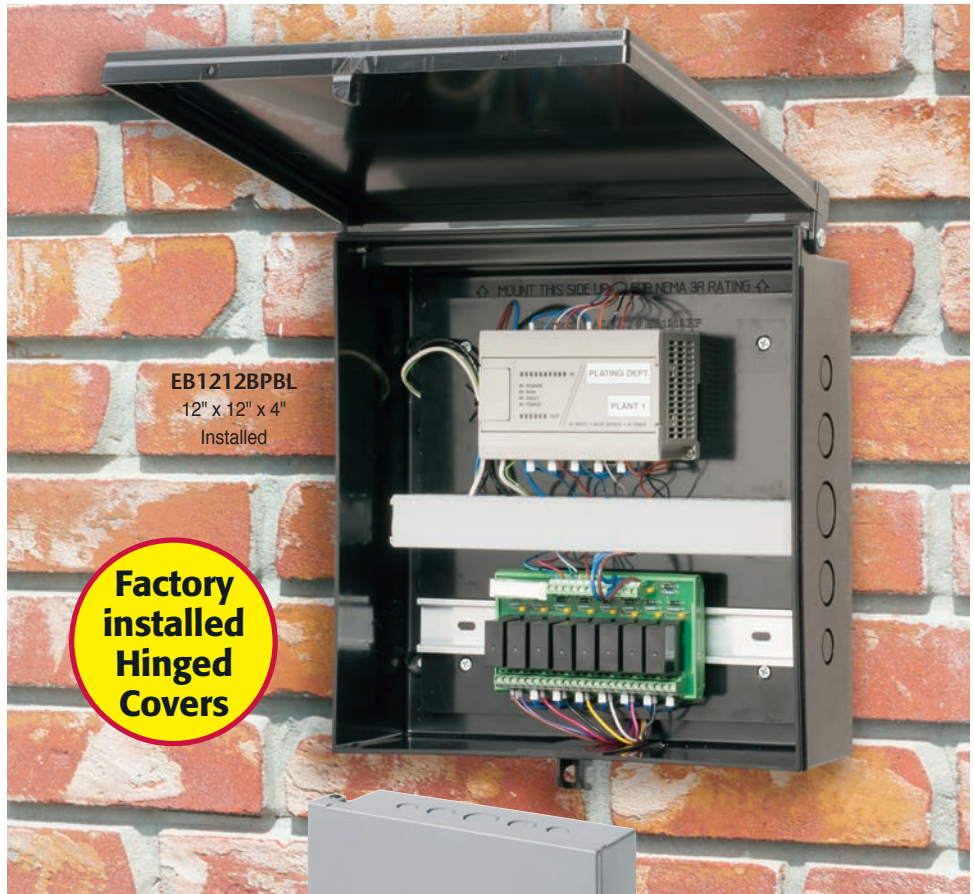
## Protects Devices, Backups • Black and Gray • Non-Metallic

Shipped with factory-installed hinged covers, Arlington's **Non-metallic Enclosure Boxes** meet NEMA 3R requirements for outdoor use (with hinge on top). They're the perfect solution to protecting and securing power backups, security devices and other valuable equipment outdoors or inside.

Made of heavy-duty, UV rated non-metallic material, and available in a variety of sizes - our boxes come with or without a back plate for easy access to components, even after the box is installed. Just remove the plate for maintenance work, or to change batteries

- All sizes available with or without a back plate
  - 7" x 8" x 3.5"
  - 11" x 11" x 3.5"
  - 12" x 12" x 4"
  - **12" x 12" x 6"**
- Meets NEMA Type 3R Requirements
- Available in gray and black
- Convenient 1/2" and 3/4" knockouts
- 'Lockable' with a knockout for a cam lock (EBL1 sold separately) or a padlock latch

**NEW**



**EB1212BPBL**  
12" x 12" x 4"  
Installed

**Factory installed Hinged Covers**

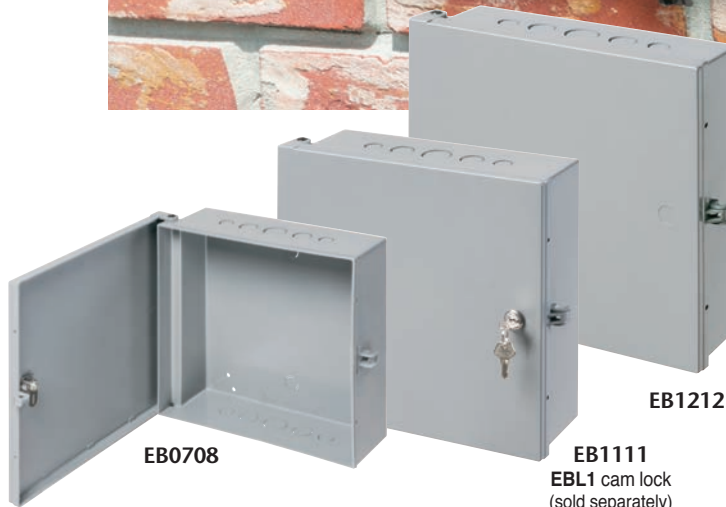
### LOCKABLE



**EB1212BP**  
with Back Plate



(electronics not included)



**EB0708**

**EB1212**

**EB1111**  
EBL1 cam lock  
(sold separately)

### NEMA 3R RATED for OUTDOOR\* AND INDOOR USE

\* FOR OUTDOOR USE BOX MUST BE MOUNTED WITH HINGE ON TOP.



**EB1212BL**  
(hinge on side for indoor use)



### GRAY Enclosure Boxes \*Add suffix BL to order in Black

CATALOG NUMBER	UPC/DCI/NAED MFG. #018997	DESCRIPTION GRAY ENCLOSURE BOX	UNIT PKG	STD PKG
EB0708	12672	7" x 8" x 3.5"	1	4
EB0708BP	23170	7" x 8" x 3.5" w/ Back Plate	1	4
EB1111	12670	11" x 11" x 3.5"	1	5
EB1111BP	23171	11" x 11" x 3.5" w/ Back Plate	1	5
EB1212	12671	12" x 12" x 4"	1	5
EB1212BP	23155	12" x 12" x 4" w/ Back Plate	1	5
EB12126	23172	12" x 12" x 6"	1	5
EB12126BP	23173	12" x 12" x 6" w/ Back Plate	1	5
EBL1	11400	Cam Lock	1	10



Made in USA

**Arlington**

# Low Profile Recessed IN BOX®

with Weatherproof in Use EXTRA DUTY Cover for Outdoor Use



## Two-Gang

Arlington's UV rated **Two-Gang Low Profile IN BOX®** is designed for exterior flat surfaces, masonry, retrofit and vinyl siding construction.

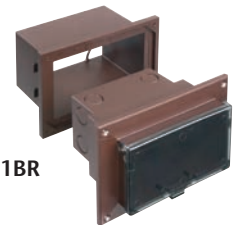
Arlington's non-metallic combination power/low voltage TWO-GANG IN BOX® is the secure, weatherproof way to install two outlets or devices or to mount a TV on an exterior wall. It features power in one side; and either a second gang of power or low voltage in the other. It's perfect for exterior installations of an outlet and a switch, or two switches, or Class 2 wiring of satellite or cable TV.

- No gaskets required
- Paintable white cover – or clear cover
- Non-metallic 22.0 cu. inch box in three styles – for stucco, vinyl siding and retrofit: flat siding, T111
- Meets NEC 406.9 (b), NEMA 3R and CEC Rule 26-702 where a weatherproof in use cover is required for 15 or 20 amp receptacles installed outdoors

## Single-Gang with Adapter Sleeve for New Brick

For New Brick IN BOX includes an adapter sleeve that keeps mortar out of the box while the brick mason works. The clean IN BOX slips into the sleeve for easy installation.

- Built-in anchor tabs seat sleeve into mortar for secure installation
- Cover is removable for easier device installation



CATALOG NUMBER	UPC/DCI/NAED MFG. #018997	TWO-GANG IN BOX DESCRIPTION/USE/COVER COLOR	UNIT PKG	STD PKG
DBM2C	03962	Masonry/Textured surfaces • Vertical/Clear	1	4
DBM2W	03963	Masonry/Textured surfaces • Vertical/White	1	4
DBR2C	03964	Flat surfaces/Retrofit • Vertical/Clear	1	4
DBR2W	03965	Flat surfaces/Retrofit • Vertical/White	1	4
DBS2C	03960	Vinyl Siding • Vertical/Clear	1	4
DBS2W	03961	Vinyl Siding • Vertical/White	1	4



Add suffix "GC" to catalog number when ordering box with ground clip for use in Canada (i.e. DBM2CGC).



CATALOG NUMBER	UPC/DCI/NAED MFG. #018997	SINGLE-GANG • FOR BRICK DESCRIPTION/USE/COVER COLOR	UNIT PKG	STD PKG
DHB1C	54880	Horizontal • Clear cover • White box	1	4
DHB1W	54880	Horizontal • White cover • White box	1	4
DHB1BRC	54881	Horizontal • Clear cover • Brown box	1	4
DHB1BR	54875	Horizontal • Brown cover • Brown box	1	4

Add suffix "GC" to catalog number when ordering box with ground clip for use in Canada (i.e. DHB1CGC).



Patented • Made in USA

Additional patents pending



# Low Profile IN / OUT™ Extra-Duty Covers for NEW or EXISTING Construction

## IN for Good Looks...



**60VW**  
60 series with  
standard base

## OUT to Plug in



**61VW**  
61 series with  
oversized base

Arlington's non-metallic **IN and OUT Covers** are *low profile* when NOT in use – and a *deep, weatherproof in use* cover when a cord or cable is plugged in.

Available in vertical and horizontal orientation, these non-metallic extra duty covers fit over any box or opening in new or retrofit projects.

IN, the cover seals the box against bugs and dirt. Extend it OUT to accommodate a plug. It's fast and easy! Perfect for low voltage or power applications.

- **60 series** covers a standard opening – The **61 series** has an installed, oversized base for a larger opening or a 3.5" round outlet box
- Installed gaskets, extra duty cover
- Meets NEC 406.9 (B) for the protection of exterior outlets where an extra-duty weatherproof in use cover is required for 15 or 20 AMP receptacles installed outdoors
- Colors: Clear or textured, paintable White



**1** Feed device through opening. Remove cover for easier access.



**2** Use pre-drilled holes in base to install device per manufacturer's instructions.



**3** Install plate to complete.

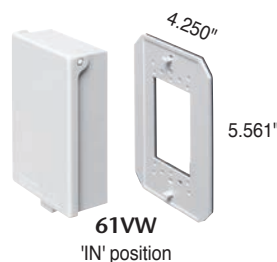
Easy to close. Bow out sides of extended cover and push in.



CATALOG NUMBER	UPC/DCI/NAED MFG. #018997	DESCRIPTION STANDARD BASE ORIENTATION/ COLOR	UNIT PKG	STD PKG
60VC	00682	Vertical • Clear	1	4
60VW	00680	Vertical • paintable White	1	4
60HC	00686	Horizontal • Clear	1	4
60HW	00684	Horizontal • paintable White	1	4



CATALOG NUMBER	UPC/DCI/NAED MFG. #018997	DESCRIPTION OVERSIZED BASE ORIENTATION/ COLOR	UNIT PKG	STD PKG
61VC	00683	Vertical • Clear	1	4
61VW	00681	Vertical • paintable White	1	4
61HC	00687	Horizontal • Clear	1	4
61HW	00685	Horizontal • paintable White	1	4



Includes cover, (1 each) duplex and GFCI plates with installation screws.  
61 series includes oversized base plate/gasket combination and (2) extra long screws.



Patented • Made in USA

Additional patents pending **Arlington®**

**For Flush-to-Wall Mounting of Hi-Def, LED TVs**

# TV BOX™

## RECESSED POWER & LOW VOLTAGE COMBO BOXES

Arlington's PLASTIC recessed combination power and low voltage boxes – TV BOX™, TV BRIDGE™ KITS and Indoor IN BOX® – offer the secure, easy way to mount hi-def, LED TVs flush against a wall.

The job looks great because plugs and connections stay inside these boxes without extending past the wall.

Available in special sizes, as well as two-, three- and four-gang for new work or retrofit. Each offers power and/or low voltage in one or more of the other openings. There's a box to fit nearly any application!

- Non-metallic box with paintable white trim plate
- In retrofit, tightening mounting wing screws holds box in wall – In new construction, box screw-mounts to stud
- Easy to cover when not in use with optional covers (sold separately)
- cULus Listed

***We also offer TV BOX in steel for use in projects that use metal raceway.***



### Plastic TV Boxes – by size



#### 5x8, Low Profile

TVL508..... 17



#### 8x10

TVBU810..... 18  
Cover ..... 18



#### TV Bridge™ Kits pages 23-26

TV Bridge III .....23  
UL Listed, pre-wired, pre-assembled  
TV Bridge II .....24  
ETL, pre-assembled/wired, four styles  
TV Bridge.....25  
Two power/low voltage combo boxes  
TVL2508K .....26  
Low profile kit for shallow walls



#### Single Gang

DVFR1W ..... 19  
TVB712.....22



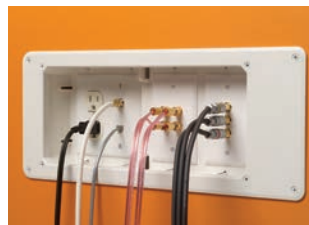
#### Two Gang

TVBU505 power/low voltage.....20  
Kits.....20  
Cover .....21



#### Three Gang

TVBU507 power/low voltage.....20  
DVFR3W ..... 19  
Cover .....21



#### Four Gang

TVB713 .....22  
DVFR4W ..... 19  
TVB613 .....21  
Cover .....21



#### Steel TV Boxes

Two-, three- and four-gang styles for use in new or retrofit projects that use metal raceway. See pages 27-28.





## Flush-to-the-Wall TV Installations on Shallow Walls

Arlington's **Low Profile 5" x 8" TV BOX™** is ideal for TV installations on 1/2" or 5/8" drywall with wall cavity depths as shallow as 3/4" (or deeper).

Applications in new work or retrofit include:

- Furring strips on concrete block walls
- 2x2, 2x3 and 2x4 or larger studs

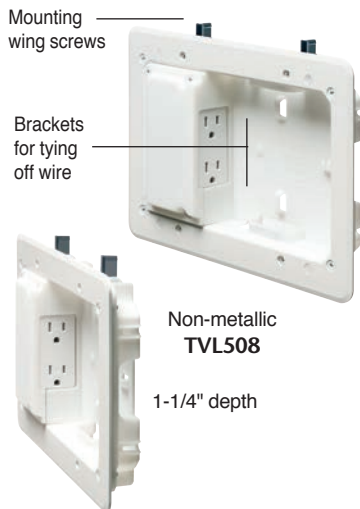


The low profile

TVL508 box can also solve the problem of plumbing or other obstructions running inside the wall cavity.

It has lots of room inside for multiple cables and brackets for tying them off – keeping the installation neat and organized.

- Plugs stay inside box; TV mounts closer to the wall
- Mounting wing screws hold box securely in the wall
- Includes UL Listed decorator style receptacle
- cULus Listed



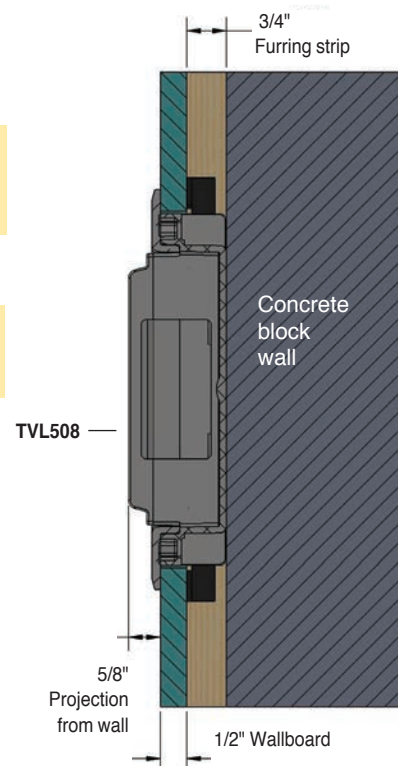
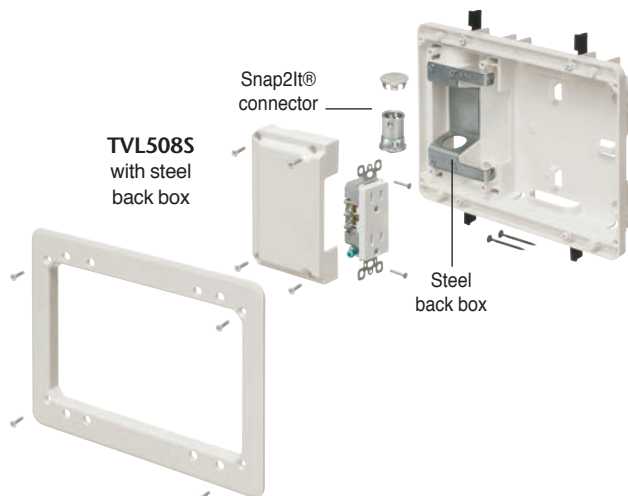
Non-metallic TVL508

1-1/4" depth

CATALOG NUMBER	UPC/DEI/NAED MFG. #018997	DESCRIPTION	UNIT PKG	STD PKG
TVL508	52307	5" x 8" power/low voltage box	1	4
TVL508GC	09753	5" x 8" power/low voltage box w ground clip for Canada	1	4

**with STEEL BACK BOX** for use with MC, AC, flexible metal conduit

TVL508S	15240	5" x 8" power/low voltage box	1	4
---------	-------	-------------------------------	---	---



Patented • Made in USA

**Arlington®**

# PLASTIC

# 8 x 10 TV BOX™

## Perfect for New or Retrofit Home Theater Installations



**TVBU810**  
8x10 TV Box™

Arlington's 8"x10" TV Box™ delivers the ultimate in versatility for installing wall-mounted TVs in retrofit projects. There's more room in the box for wires. And, you can install it horizontally or vertically to ensure proper positioning of low voltage connections behind the TV.

TVB810 is ideal for home theater systems where multiple connections are needed for sound systems, satellite TV, cable TV, DVRs, and more.

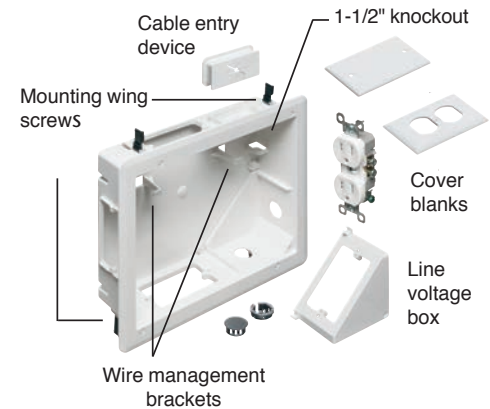
- Accepts standard-style plates with receptacles and decorator-style devices with plates - and Arlington's SCOOP™ series entrance plates and hoods
- In retrofit, mounting wing screws hold box secure against wall – Box mounts to stud in new construction
- 1-1/2" knockout for ENT or other low voltage wiring
- cULus Listed



### New Work



### Retrofit



## Lots of space inside for multiple low voltage connections...Brackets for a neater installation

CATALOG NUMBER	UPC/DCI/NAED MFG. #018997	DESCRIPTION PLASTIC TV BOX™	UNIT PKG	STD PKG
TVBU810	09758	8"x10" power/low voltage box	1	1
TVBU810GC	13631	8"x10" power/low voltage box with ground clip (for Canada)	1	1
TVB810C	24193	Plastic cover for TVBU810	1	10

Supplied with cover blanks, wall plate, a SCOOP cable entry device (CED130) and cable connectors for unused openings.

Also available with STEEL box. See pages 27-28



Patented • Made in USA





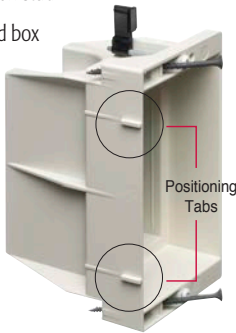
## Fire-Rated • Recessed Electrical Boxes • Optional Covers

Arlington's **Recessed Indoor IN BOX®** for new work or retrofit, allows TVs – *and furniture* to be placed flush against the wall.

For power or low voltage, indoor IN BOX mounts securely to the stud in new construction or to drywall in retrofit.

The box is recessed so plugs don't extend past the wall, like they do in a regular box. You can mount TVs flush or push furniture closer to the wall.

- Positioning tabs for 1/2" wall thickness assure accurate placement on stud
- Mounting wings hold box secure in wall when screws are tightened
- Textured, paintable trim plate covers edges of cut drywall
- Horizontal or vertical mounting
- Multiple styles for new construction or retrofit
- Covers available for two- and three-gang styles



Single-gang



DVFR2W  
Two-gang



**TWO HOUR  
FIRE RATING**



DVFR1W  
Single-gang IN BOX



Single and Two-gang only



DVFR2W  
Two-gang IN BOX



DVFR3W  
(divider in box)



DVFR3C  
Three-gang cover



Three-gang



Four-gang



DVFC  
Two-gang cover

Paintable Cover

CATALOG NUMBER	UPC/DCI/NAED MFG. #018997	DESCRIPTION INDOOR IN BOX® & COVERS	COLOR	UNIT PKG	STD PKG
DVFR1W	14330	Single-gang • 21.0 cu in	White	1	4
DVFR2W	14331	Two-gang • 34.0 cu in	White	1	4
DVFC	14337	Non-metallic Blank Cover for Two-gang Box	White	10	10
DVFR3W	14340	Three-gang • 49.3 cu in	White	1	1
DVFC3	10570	Non-metallic Blank Cover for Three-gang Box	White	10	10
DVFR4W	14342	Four-gang • 64.5 cu in	White	1	1

Add suffix "GC" to catalog number when ordering box with ground clip for use in Canada (i.e. DVFR1WGC).



Patented • Made in USA

**Arlington®**

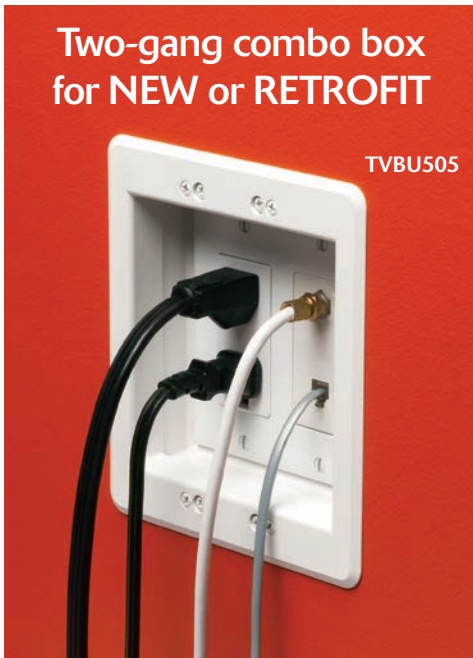
# PLASTIC

# Multiple gang TV BOX™

## Power AND Low Voltage in ONE easy-to-install recessed box

### Two-gang combo box for NEW or RETROFIT

TVBU505



### Three-gang for NEW or RETROFIT

TVBU507

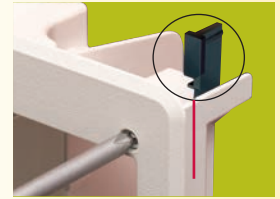


Arlington's **Recessed Two- and Three-gang TV BOX™** for new work or retrofit allows mounting of TVs, and other system components flush against the wall. These combo boxes offer power and low voltage for Class 2 wiring of satellite or cable TV, speakers, etc in the same box.

In retrofit, mounting wings hold the box firmly in place. There's no wobble once it's installed. In new construction, box mounts to stud for secure support.



Positioning tabs for new work



Mounting wings for existing walls

**Secure installation. Good looks. A great finish.**

*Plugs stay inside – don't protrude past the wall*

- For walls up to 1-1/2" thick
- Covers available for two- and three-gang styles
- cULus Listed

### New Work Installation



1 Attach box to stud. Use tabs, set for 1/2" or 5/8" drywall, for proper positioning of box depth.



2 Attach paintable trim plate with screws provided.



OPTION for new work: For added box stability tighten mounting wing screws to secure box in wall.

### For installation in Existing Wall



1 Determine location. Use box, without trim plate, as template for hole.



2 Cut drywall. Attach trim plate. Install assembly in opening.



3 Mounting wing screws secure box in the wall.

To order TVBU505, TVBU507 in black, add suffix 'BL' to catalog number, i.e. TVBU505BL

CATALOG NUMBER	UPC/DCI/NAED MFG. #018997	DESCRIPTION NON-METALLIC TV BOX™ & COVERS	UNIT PKG	STD PKG
TVBU505	09636	Two-gang, power/low voltage	1	4
DVFC	14337	White Blank Cover for TVBU505	10	10
TVBR505K	09670	Two-gang, power/low voltage kit for retrofit	1	4
TVBU505K	09682	Two-gang, power/low voltage kit for new work or retrofit	1	4
TVBU507	09661	Three-gang, One power/two low voltage	1	4
DVFC3	10570	White Blank Cover for TVBU507	10	10

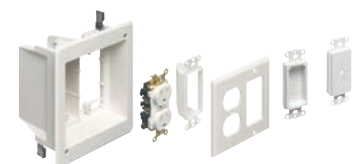
Add suffix "CC" to catalog number when ordering box with ground clip for use in Canada (i.e. TVBU505CC)



TVBU505



TVBU507



TVBR505K includes box, tamper-resistant duplex receptacle SCOOP™ entrance hood, cable entry device, duplex decorator-style wall plate



TVBU505K includes box, tamper-resistant duplex receptacle, brush-style cable entry device, two-gang decorator-style wall plate



Patented • Made in USA



**Recessed Power/Low Voltage Box**

Arlington's **Recessed, Four-gang TV BOX™** for new or retrofit mounts TVs flush against a wall. The double-gang design allows the installation of two duplex receptacles or low voltage devices. Or, use the supplied box separator to install one low voltage device and one duplex receptacle. TV BOX also has two additional built-in mounts for low voltage, data/media connections (speakers, satellite TV).

The 13" wide, non-metallic **TVB613** mounts between 16" o.c. studs for a secure horizontal or vertical installation.



Install voltage separator if using low voltage in two-gang box

**Looks great. Saves space.**

**Recessed – plugs don't protrude**

- Textured, paintable trim plate covers edges of cut drywall.
- cULus Listed



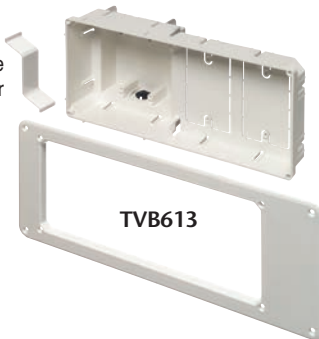
**TVB613**

CATALOG NUMBER	UPC/DCI/NAED MFG. #018997	DESCRIPTION	COVER COLOR	UNIT PKG	STD PKG
<b>TVB613</b>	09630	Four-gang power/low voltage box • 26.2 cu in	White	1	1
<b>TVB613BL</b>	09634	Four-gang power/low voltage box • 26.2 cu in	Black	1	1
<b>TVB613C</b>	09631	Blank cover fits TVB613	White	5	5

Includes recessed TV BOX w/ trim plate, low voltage separator, NM cable connector and installation screws

Add suffix "GC" to catalog number when ordering with ground clip for use in Canada (i.e. TVB613GC)

Voltage Separator



**TVB613**

Blank Cover for TVB613



**TVB613C**

for Steel box See page 28



Patented • Made in USA

**Paintable Box Covers for IN BOX® or TV BOX™**

Arlington's Non-metallic paintable **Box Covers** keep unused non-metallic boxes clean until you're ready to complete the installation. Boxes with an Arlington box cover look better at eye-level and blend into the wall, especially when painted.

- Fits two- or three-gang indoor IN BOX (page 19) and two- or three-gang TV Box (page 20)
- Easy press-on installation



**DVFR3C**  
Three-gang cover



**DVFRC**



**Paintable**

CATALOG NUMBER	UPC/DCI/NAED MFG. #018997	DESCRIPTION	COVER COLOR	UNIT PKG	STD PKG
<b>DVFRC</b>	14337	Non-metallic • Paintable Blank Cover for two-gang box	White	10	10
<b>DVFR3C</b>	10570	Non-metallic • Paintable Blank Cover for three-gang box	White	10	10



Patented • Made in USA

**Arlington®**

## with Angled Openings

Designed for new or retrofit, these **TV Boxes** have **Angled Outlet Boxes** that take convenience to a new level.

The versatile **TVB712** offers power and/or low voltage. The larger **TVB713** has power and low voltage openings for video, audio and other datacom connections. Two angled outlet boxes keep plugs behind the wall surface – and allow the use of close-clearance TV mounting hardware. Now you really *can* mount a TV flush against a wall.

- Non-metallic, paintable trim plate
- For new work or retrofit
- Optional cover for unused 13" box
- Available with ground clip for use in Canada



TVB713



Tray for converter



TVB613C  
Blank Cover



TVB713

### New Work Installation



1 Attach box to stud through slotted holes with a minimum of (2) #6 x 1-5/8" wood screws.



2 Pull wire. After installing the wall, install enclosure assembly and devices. Make connections.

### Retrofit Installation



1 Use box without trim plate, as template for opening. Cut hole next to stud. Pull wires. Insert box into hole.



2 Assemble trim plate. \*Retrofit must also use a minimum of (2) #6 x 1-5/8" wood screws in adjacent stud. Install enclosure assembly and devices.



3 Make connections.



TVB712

CATALOG NUMBER	UPC/DCI/NAED MFG. #018997	DESCRIPTION	UNIT/STD PKG
TVB712	09712	(1 each) Power and/or low voltage	1
TVB713	09713	(1) Power and multiple low voltage openings w/ interchangeable tray	1
TVB613C	09631	Non-metallic, blank cover for TVB713	5



TVB712

Add suffix "GC" to catalog number when ordering box with ground clip for use in Canada (i.e. TVB713GC).



Patented • Made in USA



Fastest, Easiest Way to Install a Hi-Def or LED TV

# TV BRIDGE™ KITS

## UL LISTED, PRE-ASSEMBLED

Arlington's UL LISTED **TV Bridge III** kits offer the time-saving, secure way to install a TV and additional components.

Installation is faster because the advance work is already done! Our kits include two fully assembled, recessed boxes and pre-wired connections.

All you do is cut two openings in the wall, near a power source. There's no need to cut into framing members or to run power from a panel box.

## NON-METALLIC

- Mounting wing screws hold the boxes secure in the wall
- Plugs and connections stay inside the recessed boxes so TV mounts flush against wall
- No mess! – wires stay hidden
- TV Bridge III is UL LISTED to meet NEC 400.7 (11) for interconnecting wiring between an existing receptacle and an inlet.



## TV Bridge™ III

Easiest, Fastest TV Installation



No mess!  
Wires run  
behind  
wall

1 Determine box location. Avoiding framing members and obstructions, cut openings; the top in location for TV; the bottom directly below it, near existing electrical outlet. (Templates supplied). Fish power cable through top hole to bottom hole.

2 Install upper mounting box in opening by tightening four wing screws.

3 Attach male end of power cable to back of lower mounting bracket using (2) #8 x 1/2" screws (provided).

4 Insert lower assembly into opening. Tighten four wing screws to hold in wall.

5 To energize TV Bridge III kit plug the supplied power extension cord into existing receptor, and male end of power cable.



Patented • Made in USA



CATALOG NUMBER	UPC/DEI/NAED MFG. #018997	DESCRIPTION	UNIT/STD PKG
TVBR21K	24220	Two-gang upper box, Single-gang lower box	1
TVBR22K	24222	Two-gang upper and lower boxes	1

Includes pre-assembled UL Listed power cable with upper and lower mounting boxes with installed brush-style cable entry devices, (1) UL Listed 6 ft, 14 gauge power extension cord, (2) #8 x 1/2" pan head screws and template for cutouts.

# TV BRIDGE™ II Kits

## Pre-Wired, Pre-Assembled for Wall-mount TV Installations

### FOUR STYLES

with assembled recessed boxes, pre-wired receptacle, device, flexible cord, cord grip



**TVB712BK**  
TV Bridge II Kit with angled power side in recessed box



Arlington's non-metallic **TV Bridge™ II Box Kits** include two boxes and the necessary connections needed to install a TV and additional components.

Installation is *faster* because we've done the advance assembly work for you! You'll get a fully assembled, recessed box kit, with pre-wired receptacle, device, flexible cord and cord grip.

All you need to do is cut *two* openings in the wall, near a power source. There's no need to cut into your framing members or run power from a panel box.

- Mounting wing screws hold boxes secure in the wall
- Plugs and connections stay inside the recessed boxes so TV mounts flush against the wall
- No mess! – wires stay hidden behind the wall

### TV Bridge™ II kits in four styles...

**TVBRA1K** (2) single gang power boxes

**TVBRA2K** (2) two-gang power/low voltage boxes

**TVBRA3K** two-gang power/low voltage box at top, power box at bottom

**TVB712BK** power/low voltage box (power side angled)



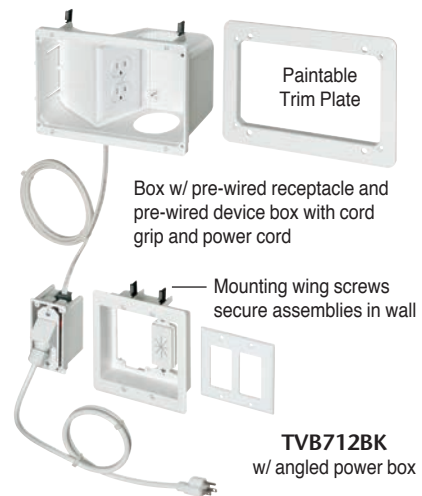
**TVBRA1K**



**TVBRA2K**



**TVBRA3K**



Box w/ pre-wired receptacle and pre-wired device box with cord grip and power cord

Mounting wing screws secure assemblies in wall

**TVB712BK**  
w/ angled power box

ETL LISTED CONFORMS to UL STD 514C  
CERTIFIED to CAN/CSA STD C22.2 No. 18.2

CATALOG NUMBER	UPC/DEI/NAED MFG. #018997	DESCRIPTION TV BRIDGE™ II KIT	UNIT/STD PKG
<b>TVBRA1K</b>	24180	w/ single-gang boxes	1
<b>TVBRA2K</b>	24181	w/ (2) two-gang power/low voltage boxes	1
<b>TVBRA3K</b>	24195	(1) two-gang power/low voltage upper boxes, (1) single-gang (lower) box	1
<b>TVB712BK</b>	12781	w/ two-gang power/low voltage box (power w/ angled opening)	1

Add suffix "GC" to catalog number when ordering TV BOX with ground clip for use in Canada (i.e. TVB713GC).  
All kits include (2) recessed boxes, (1) pre-wired device box assembly, trim plates, cover plates and CED130 cable entry device.



Patented • Made in USA



# Complete, Easy-to-install Box Kit for TV Installations

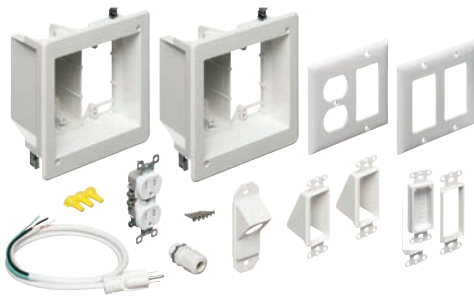
Arlington's **TVBR2505K TV Bridge™ Kit** includes TWO recessed power/low voltage combo boxes and all the connections you need, except the NM cable, to install a TV and additional components.

The best part is, there's no need to run cable from a panel box – or cut holes in your framing members.

Just cut two holes in the wall and access power from an existing, nearby source.

- Fast, easy, convenient – saves time and money!
- Secure installation. Good looks. A great finish.
- All wires stay hidden behind the wall – no messy wires running from TV to components
- Plugs stay inside the electrical box – and don't protrude past the wall
- Mounting wings hold boxes securely against wall when screws are tightened
- **Paintable trim plate**
- 18.0 cubic inch recessed boxes

## TV Bridge™ Complete, easy-to-install TV Box Kit



TVBR2505K



CATALOG NUMBER	UPC/DCI/NAED MFG #01 8997	DESCRIPTION TV BRIDGE™	UNIT PKG	STD PKG
TVBR2505K	09658	TV Bridge™ • 18.0 cu inch recessed boxes	1	1
TVBR2505KGC	09018	TV Bridge™ • 18.0 cu inch recessed boxes with ground clip for Canada	1	1

### What's included:

- (2) TVBR505 recessed dual voltage boxes
- (2) cover plates
- (2) CED1 entrance hoods
- (1) CED13 cable entry device
- (1) CED130 cable entry device
- (1) KD4550 45° knockout device
- (1) tamper-resistant duplex receptacle
- (1) 6 ft. 14 AWG cord
- (1) LPCG50W cord grip
- Installation screws
- (3) wire nuts



Patented • Made in USA

Arlington®

# Low Profile TV BRIDGE™ KIT

## Flush-to-the-Wall TV Installations on Shallow Walls

FINISHED installation

Roomy 5" x 8" boxes accommodate multiple cables...

Wires run behind wall

Low profile 1-1/4" deep recessed boxes

**LOW PROFILE**  
for Shallow Walls

Trim plate

Device & cover

7 ft cable

TVL2508K

Patented • Made in USA

Mounting wing screws

Brackets for tying off wire

Save time and money with Arlington's **Low Profile TV BRIDGE™ KIT**. This all-in-one package is ideal for TV installations on 1/2" or 5/8" drywall with wall cavity depths as shallow as 3/4" (and deeper). Applications in new work or retrofit include:

- Furring strips on concrete block walls
- 2x2, 2x3 and 2x4 or larger studs

A low profile box is also helpful when plumbing or other obstructions run behind the wall.

- Ample room inside for multiple cables, with brackets for tying them off
- Plug stays inside upper box so TV mounts closer to the wall
- Mounting wing screws hold boxes securely in wall
- Kit includes all you need to install a TV close to a wall and connect to additional components

### TVL2508K Installation...

- 1 After locating position of TV and installing mounting bracket, cut holes for upper and lower boxes in a clear space in the same stud bay.

Power source

\* Mounting bracket not shown

### LOWER Box...

- 2 Position lower box so that supplied cord reaches existing receptacle (or power conditioner). Feed NM cable connector from lower box, behind the wall, to upper box opening. Also pull low voltage cable and speaker wire.
- 3 Tighten four wing screws to install box/power cord assembly.

### UPPER Box...

- 4 Install trim plate. Pull NM cable through connector. Install box in hole by tightening wing screws (see 3).
- 5 Attach electrical receptacle to receptacle mounting bracket.
- 6 Attach receptacle mounting bracket.

No need to run power from panel box - or to cut into framing members

CATALOG NUMBER	UPC/DEI/NAED MFG. #018997	DESCRIPTION	UNIT/STD PKG
TVL2508K	52305	5" x 8" power/low voltage	1/4
TVL2508KGC	52306	5" x 8" power/low voltage w ground clip for Canada	1/4



**STEEL**

**Recessed TV BOX™**  
for Use with Metal Raceway

# TV BOX™

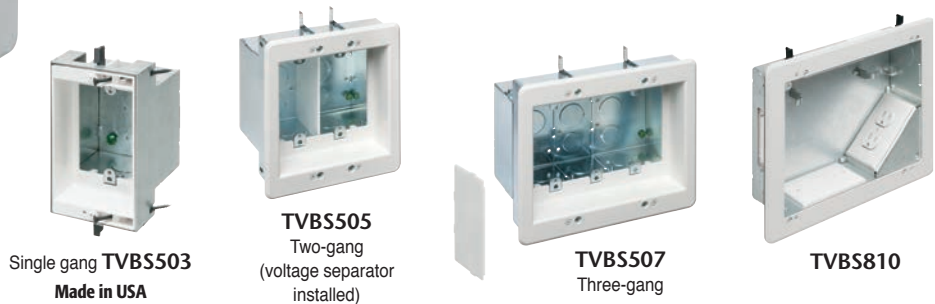
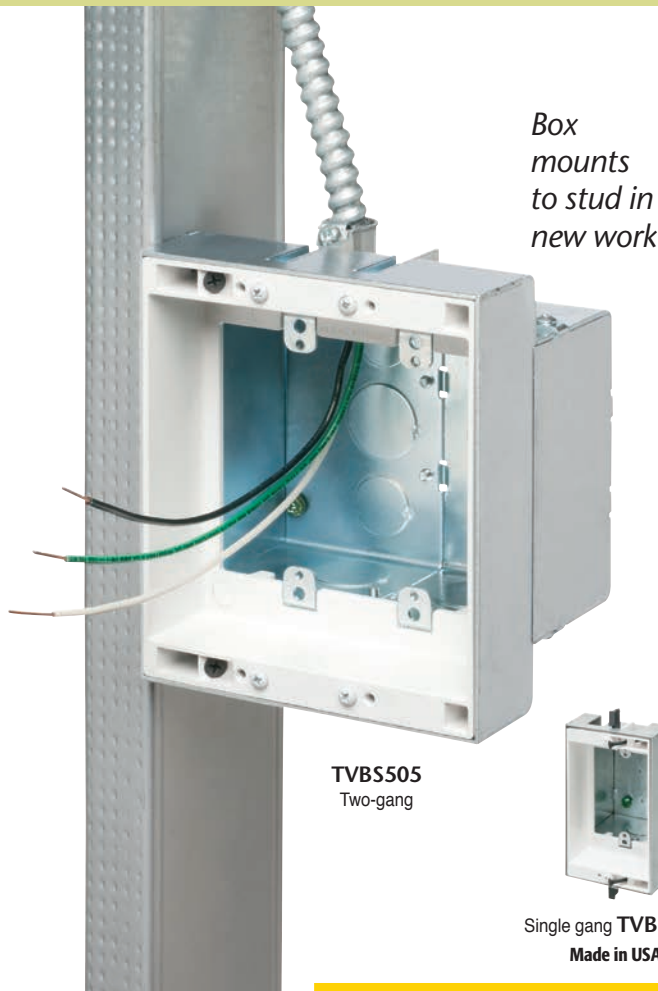
## RECESSED STEEL POWER & LOW VOLTAGE COMBO BOXES

Designed for use in commercial and other construction where metal raceway is used, Arlington's **STEEL combination TV BOX™** provides power and/or low voltage in one or more openings.

The recessed design of these steel boxes keeps plugs and connectors inside the box. Connections don't extend past the wall, so TVs mount flush.

Steel TV BOX... single-, two-, three- and four-gang styles, and 8x10.

- Steel box with non-metallic paintable white trim plate
- Easy to install, secure installation
- Mounting wings hold boxes secure in the wall in retrofit projects
- Boxes screw-mount to stud in new construction
- Optional cover for unused boxes sold separately
- cULus Listed



**BLANK COVERS**



**Arlington®**

# STEEL

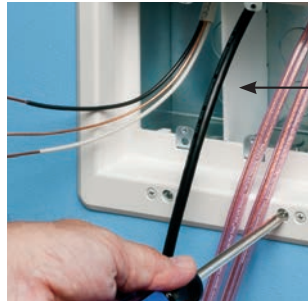
# Power/Low Voltage TV BOX™

## Recessed for Flush Wall Mount TV Installation

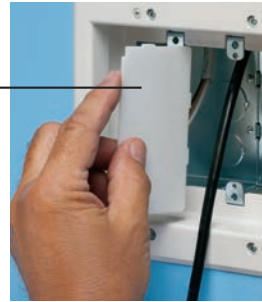
### Steel TV BOX™ Installation Existing Construction



1 Cut hole. Use enclosure, without trim plate, as a template.



2 Pull cable. Insert box in hole. Tighten mounting wing screws to hold box securely against wall.

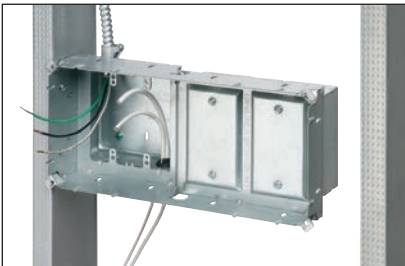


Note Install voltage separator for power and low voltage.



3 Install devices, then the wall plates.

### Steel TV BOX™ Installation New Construction



1 Attach box to stud. Pull wire.



2 After drywall is installed, add trim plate. Install enclosure assembly to wall with outer screws.



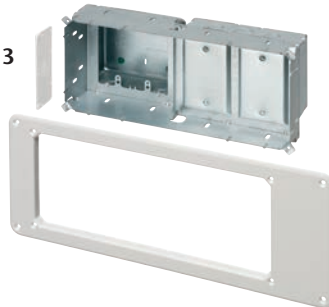
3 Install voltage separator.



4 Install devices and plates.

CATALOG NUMBER	UPC/DCI/NAED MFG. #018997	DESCRIPTION	UNIT PKG	STD PKG
TVBS503	38112	Single-gang, steel box	1	4
TVBS505	37955	Two-gang, steel box w/ white non-metallic trim plate	1	4
TVBS505BL	20740	Two-gang, steel box w/ black non-metallic trim plate	1	4
TVBS507	37956	Three-gang, steel box w/ white non-metallic trim plate	1	4
TVBS613	09633	Two-gang, steel, power/low voltage (white trim plate) (Plus two low voltage mounts)	1	1
TVBS613BL	09660	Two-gang, steel, power/low voltage (black trim plate) (Plus two low voltage mounts)	1	1
TVBS810	09757	8" x 10" Steel power/low voltage box	1	1
DVFR3C	14337	White non-metallic blank cover for two-gang TVBS505	10	10
TVB613C	09631	White non-metallic blank cover for 13" TVBS613	5	5
DVFR3C	10570	White non-metallic blank cover for three-gang TVBS507	10	10

TVBS613



Patented  
TVBS503 Made in USA

## Security Camera Mounting Kit for Suspended Ceilings

### CAM-BOX™ KIT

#### Sturdy Security Camera Installation on a Suspended Ceiling



Use Arlington's **CAM-BOX KIT** to install any security camera, with base diameter up to 7", on a suspended or drywall ceiling panel. For power or low voltage, it installs FAST with a 4" hole saw, saving time and money.

It's a tested assembly that holds up to 50 lbs and it fits any security camera hole pattern because you drill the holes in the mounting plate. Larger cameras, with base diameter from 4.5" to 7", mount directly to the paintable white plastic box flange.

Unlike most multi-piece assemblies, CAM-BOX™ KIT is rated for:

- Up to 50 lbs on a suspended ceiling – or drywall ceiling in combination with a drop wire for support
- Up to 10 lbs on a drywall ceiling without drop wire (not rated for fixtures)
- Up to 7 lbs on walls

CAM-BOX™ KIT includes a drop wire for overhead support, mounting wings for attachment of the 27.0 cu. in. box to the ceiling, 1/2" and 3/4" knockouts in the box, two NM94 non-metallic cable connectors – and a mounting bracket and plate for the camera.

- Rotates in either direction for proper positioning of camera



**1** Cut hole in the ceiling with 4" hole saw.



**2** Align box as necessary. Tighten mounting wing screws.



**3** Wrap drop wire twice through loop on top of box and around a framing member above ceiling. Wrap wire around itself six times minimum in both instances.



**4** Install supplied NM94 cable connector (1/2" or 3/4").



**5** Install mounting bracket to inside of box.

Note: Mount cameras with base diameter of 4.5" to 7" directly to the box flange *no mounting plate required.*



**6** Mount camera to mounting plate. Place assembly on bracket. Turn clockwise to lock. Install set screw.

Done! Secure camera installation – No sagging ceiling.

**FLC430 CAM-BOX™ KIT**  
Plastic



Includes **plastic box**, drop wire, (2) NM94 cable connectors (plastic box only) and mounting bracket and plate for camera

**FLC430S CAM-BOX™ KIT**  
Steel



Includes **steel box**, drop wire, mounting bracket and plate for camera

CATALOG NUMBER	UPC/DCI/NAED MFG. #018997	DESCRIPTION CAM-BOX™ KIT	MATERIAL	CU IN	UNIT PKG	STD PKG
<b>FLC430</b>	09742	Security Camera Mounting Kit	Plastic box	27.0	1	10
<b>FLC430S</b>	09743	Security Camera Mounting Kit	Steel box w/ plastic flange	17.0	1	10

Add suffix "GC" to catalog number when ordering plastic box with ground clip for use in Canada (i.e. FLC430GC)



Patented • Made in USA

**Arlington®**



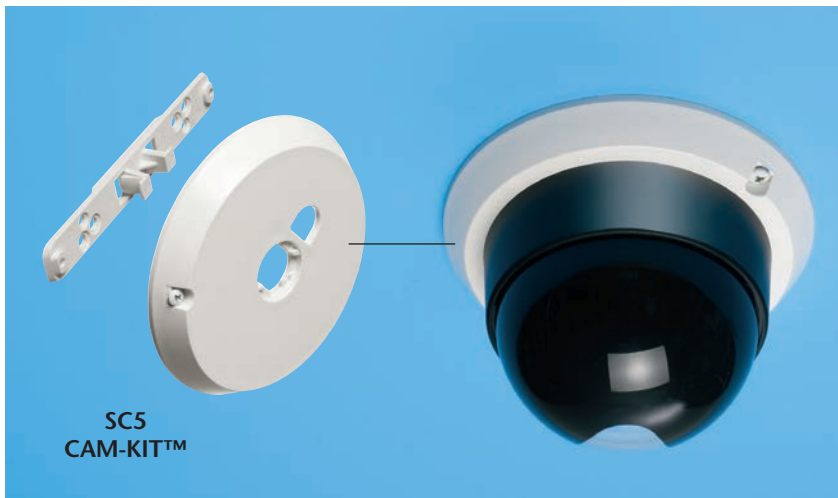
# CAM-KIT™ Wall or Ceiling Mounting Kit

## Security Camera • Smoke Detector Installation

CAM-KIT™

Installs in 2 minutes!

Secure, Universal Mounting to 3.5" and 4" Boxes



CATALOG NUMBER	UPC/DCI/NAED MFG. #018997	DESCRIPTION	COLOR/MATERIAL	UNIT PKG	STD PKG
SC5	18058	Security camera mounting kit	White Plastic	1	20
SC5BL	18220	Security camera mounting kit	Black Plastic	1	20



Arlington's non-metallic **CAM-KIT™, security camera mounting kit**, offers the easy, secure way to install a security camera on a ceiling or wall.

- Includes a universal bracket, 5" mounting plate and mounting screws
- Fits ANY camera hole pattern because you drill the holes in the mounting plate
- Works with 3-1/2" and 4" fixture boxes and single-gang device boxes – also works with Arlington's FL430 fixture box
- Secure attachment of low voltage or power security cameras to ceiling or wall-mounted boxes



1 Attach SC5 bracket to box.



2 Place assembly on bracket. Turn clockwise to lock. Install set screw.

Patented • Made in USA



## Round Low Voltage Mounting Bracket

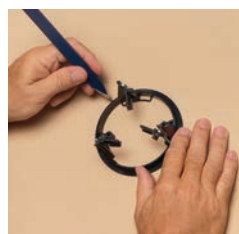
Mounting bracket for low voltage smoke detector installations

Arlington's **round Low Voltage Mounting Bracket** is perfect for low voltage smoke detector installations in existing construction.

- For smoke detectors, carbon monoxide detectors, cameras and more – or any low voltage products that mount to a standard 4" fixture box
- Mounting wing screws hold bracket secure
- Adjustable depth – fits 1/4" to 1-1/2" wall or ceiling thickness
- Fast, easy solution to mounting



CATALOG NUMBER	UPC/DCI/NAED MFG. #018997	DESCRIPTION FOR EXISTING CONSTRUCTION	UNIT PKG	STD PKG
LVR1	58185	4" Round Mounting Bracket	25	25



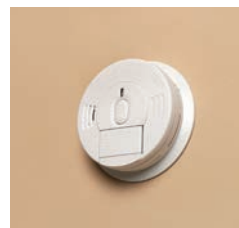
1 Bracket is template for opening



2 Pull cable and tighten mounting wing screws to hold bracket secure



3 Install mounting plate per manufacturer's instructions



4 Done! Fast, easy installation

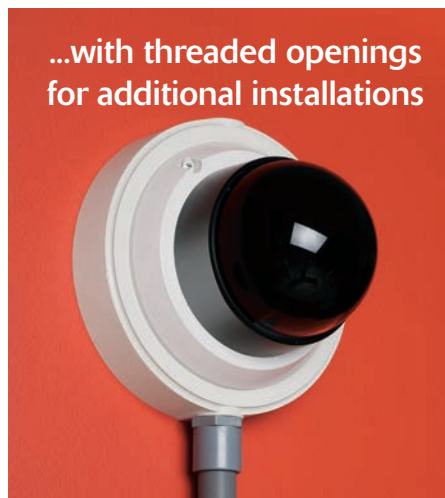


Arlington®

Made in USA

# 8161 Boxes... for Dry, Damp or Wet Areas

## The Easy Way to Mount Security Cameras *and more*, on Walls or Ceilings



Arlington's **8161 series boxes** offer flexible solutions to mounting security cameras, detectors and other items outdoors!

You can install a power or low voltage security camera – with mounting holes spaced wider than 4.5" apart – right on the box and mount it to a wall or ceiling.

These non-metallic boxes support security cameras, electrical accessories and fixtures up to 50 lbs on ceilings – and up to 10 lbs on a wall. The positionable threaded openings allow you to install a camera where you need it *now*; then install additional cameras, etc. later.

- Use indoors or outdoors.  
For dry, damp or wet locations
- UV rated for long outdoor life

**8161, the box with flexible installation options!**



8161TR

For cameras with base diameter smaller than 4.5" use our SC5 camera mounting kit (not included).

See page 30.



SC5

8161TR installation photos shown with SC5 CAM-KIT™ installed

Security cameras not included

CATALOG NUMBER	UPC/DCI/NAED MFG. #018997	DESCRIPTION PLASTIC BOX W/ THREADED OPENINGS	WEIGHT RATING /MOUNTING	UNIT PKG	STD PKG
8161TR	00878	Camera mount for Flat wall/Ceiling	10 lb/wall	1	10
8161BR	08881	Camera mount for Offset on wall	50 lb	1	10
8161BP	08880	Camera mount for Pendant/Down rod based	50 lb/down rod	1	10
8161BPBL	12785	Black Camera mount for Pendant/Down rod based	50 lb/down rod	1	10
8161CB	01530	Camera mount for Corner-mounting	50 lb/corner	1	10
8161PM	09020	Camera mount for Pole-mounting	50 lb/pole	1	10

Add suffix "GC" to catalog number when ordering with ground clip for use in Canada (i.e. 8161TRGC)



8161CB



8161BPBL



8161BR



Patented • Made in USA

**Arlington®**



# Non-Metallic Multi Purpose Box

## Eliminates Time-consuming Field Modifications

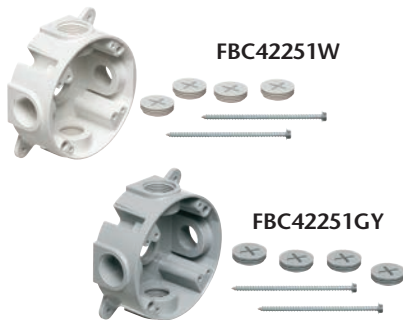
Arlington's non-metallic **Multi Purpose Box** is the labor-saving solution to installing a security camera exposed to the elements – inside or outside. This Multi Purpose Box eliminates the need for time-consuming field modifications.

It's completely sealed. Water stays out and wiring stays dry when used with gasketed accessories. It supports up to 70 lbs, including a fan or fixture, securely and safely in a damp or dry location.

Perfect for areas with open exposure to wind-driven rain and water spray – anywhere you would install a gasketed wet- or damp-rated accessory. Uses include pool screen enclosures, open porches, lanais, outdoor kitchens and eating areas, pavilions, and more.

- Colors: white, gray, brown
- UL Listed, raintight with a gasketed accessory
- For use with NEMA 3R accessories
- NEC code-compliant when using gasketed accessory

Matching Lampholder Covers and Blank Covers with 1/2" knockout sold separately.



 Patented • Made in USA



### Easy, Box Installation in Wet or Damp Areas...

- 1 Install fitting with conduit. Seal unused openings with supplied plugs. NOTE: For raintight applications sealing compound (not included) must be used on threaded plugs/fittings.
- 2 Mount box to structural member.
- 3 Pull wire (not included).

**FBC42251BR**  
Multi-purpose box



**FBC42252BR**  
Blank cover

CATALOG NUMBER	UPC/DEI/NAED MFG. #018997	DESCRIPTION	UNIT PKG	STD PKG
<b>FBC42251W</b>	22930	White Box	1	10
<b>FBC42251GY</b>	02591	Gray Box	1	10
<b>FBC42251BR</b>	34001	Brown Box	1	10
<b>FBC42252W</b>	22710	White Blank Cover	1	10
<b>FBC42252GY</b>	22711	Gray Blank Cover	1	10
<b>FBC42252BR</b>	34002	Brown Blank Cover	1	10

Multi Purpose Box includes 21.8 cu. inch non-metallic box, (4) 3/4" NPT plugs, (2) #12 x 3" screws for fan/fixture bracket.

## Non-metallic Box Cover for unused fan/fixture boxes. Pan boxes too...

Here's the neatest way to cover unused boxes and poorly cut drywall.

Arlington's non-metallic **CP3540 Ceiling Plate Cover** works with most fan and fixture boxes, including pan boxes, without the need to cut the post.



The bracket has 'A' and 'B' openings for use on flat ceilings, and uneven or textured ceilings.

- Fits 3.5", 4" round or octagonal boxes
- No visible screws on ceiling plate
- Paintable, non-rusting, 'no scratch' plastic



**CP3540** Box cover



**Arlington®** Patented • Made in USA



# Raintight, Non-Metallic RAINBOX™ Security Camera Installations



- Save time!... No field revisions
- Raintight, UL Listed assembly
- Completely sealed installation

Arlington's non-metallic **RAINBOX™** is the raintight, labor-saving solution to installing a security camera exposed to the elements, inside or outside.

This box eliminates the need for time-consuming field modifications. It's completely sealed so water stays out and wiring stays dry. Plus, it supports a camera securely and safely.

RAINBOX is perfect for any area with open exposure to wind-driven rain and water spray. Uses include pool screen enclosures, open porches, lanais, outdoor kitchens and eating areas, pavilions, agricultural buildings and more.

- Oversized medallion accommodates bases up to 7" in diameter
- UL Listed



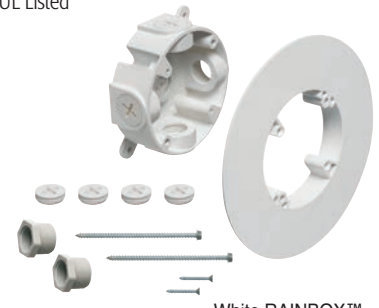
1 Install fitting with conduit. Seal unused openings with supplied plugs. Mount box to structural member.



2 Pull wire (not included).



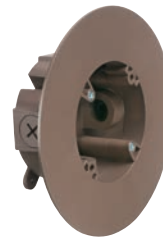
3 Attach medallion to box with supplied #8 x 1-1/4" screws.



White RAINBOX™ exploded, with components

CATALOG NUMBER	UPC/DEI/NAED MFG. #018997	DESCRIPTION RAINBOX™	COLOR	UNIT PKG	STD PKG
FBC4225W	09679	Non-metallic 21.8 cu. inch box	White	1	5
FBC4225BR	09677	Non-metallic 21.8 cu. inch box	Bronze	1	5

Includes 21.8 cu. inch RAINBOX™, medallion, (2) 1/2" to 3/4" NPT reducing bushings, (4) plugs, (2) #8 x 1-1/4" screws for medallion and (2) #12 x 4" screws for fan/fixture bracket.



FBC4225BR Bronze



FBC4225W White



Patented • Made in USA

## with Versatile bracket design 'A' and 'B' openings for flat or uneven ceilings



1 Easy installation. Attach the bracket to the box with #8 or #10 screws. Back the screws out enough to slip the bracket on.



2 Use the bracket opening that works with the ceiling condition: 'A' for flat ceilings, 'B' for uneven or textured ceilings



3 On flat ceilings, push threaded post into the 'A' opening to seat the cover. On textured or uneven ceilings, thread the post into the 'B' opening until tight.

CATALOG NUMBER	UPC/DEI/NAED MFG. #018997	DESCRIPTION BOX COVER	UNIT/STD PKG
CP3540	54090	Non-metallic, paintable Box Cover for unused 3-1/2" or 4" electrical boxes and pan boxes	1 BAG

Includes bracket with A and B openings for use with any ceiling condition, (2) #8-32 x 3/4" flat head screws (also accommodates #10 screws).



Patented • Made in USA

Arlington®

# Fixture/Fan Box Kits

## for Suspended Ceilings, Joist Mount Installations



Designed to mount a fixture or fan on a suspended ceiling grid or joist, Arlington's all-metal, one-piece fan and fixture boxes save money and installation time!

The **Suspended Ceiling Boxes** ship fully assembled, ready for a centered installation on a 24" grid – there's no need for adjustment to box or bracket. To mount the box off-center, simply loosen the screws, slide the box into its new position on the bracket and tighten the screws.



- One-piece – No parts to lose!
- Faster installation than multi-piece units, secure mounting to ceiling grid
- Usable for Environmental Air Handling spaces

The heavy-duty plated steel **FBRS420SC** with adjustable mounting bracket, is UL Rated to hold a fixture or a fan up to 70 lbs.

For fixtures only, the lighter weight **FS420SCL** and **FS427SCL** not only save time and money, they're tested and listed to hold up to 50 lbs as required by the NEC code requirements 300.22(c).

For a **Joist-mount Installation** in new construction, try our **FB415**...the fastest, most secure way to install a fan/fixture.

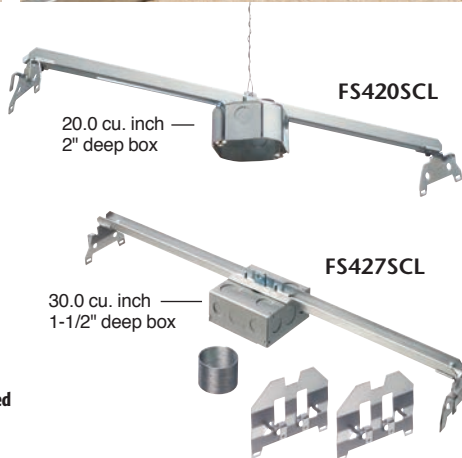
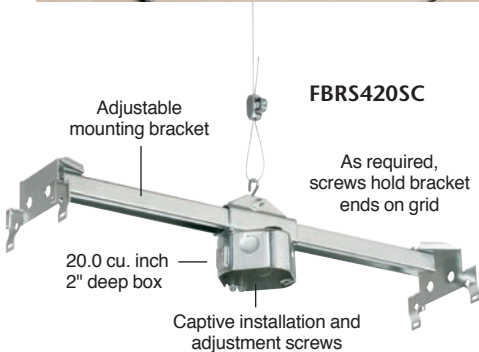
The box press-holds to a 2x4 where it stays firmly in place until the captive center screw is tightened, mounting it directly to the joist.



- Box and bracket Installation screws ship captive
- For 1/2" or 5/8" drywall
- 2-hour Fire Rating



Patented • Made in USA



### BOXES FOR SUSPENDED CEILING Patented

CATALOG NUMBER	UPC/DCI/NAED MFG. #018997	DESCRIPTION Fan/Fixture Box Kits	BOX DETAILS	UNIT PKG	STD PKG
FOR SUSPENDED CEILING					
<b>FBRS420SC</b>	75300	<b>For Fan/Fixture</b> , UL rated up to 70 lbs	20.0 cu in • 2" deep steel fan/fixture box	1	5
<b>FS420SCL</b>	12526	<b>For Fixtures only</b> , UL rated up to 50 lbs	20.0 cu in • 2" deep steel fixture box	1	10
<b>FS427SCL</b>	12537	<b>For Fixtures only</b> , UL rated up to 50 lbs	30.0 cu in • 2-1/8" deep 4x4 steel fixture box	1	10
JOIST-MOUNT					
<b>FB415</b>	72167	<b>For Fan</b> , UL rated up to 70 lbs <b>For Fixture</b> , UL rated up to 200 lbs	10.3 cu in	25	25

**FBRS420SC** includes box with captive installation and adjustment screws, adjustable bracket and Wire Grabber™ kit (connector, 12' .080" braided wire). One-piece **FS420SCL** and **FS427SCL** include box with captive installation and adjustment screws, bracket and drop wire. **FS427SCL** also includes (2) extension brackets for use when attaching a standard 1-1/2" extension ring.

**FB415** comes with installed NM cable connector and mud cover. Installation screws ship captive.



# GARD-N-POST™ Supports, Enclosures

## For Great Looks Outdoors. Power/Low Voltage in the Same Post

**Gard-N-Post™** is the attractive, safe and easy way to install lighting and devices outdoors!

We offer a variety of styles, from 9" to 73" tall that function as supports or enclosures – or both!

Made of non-metallic, heavy-duty plastic, our damage-resistant Gard-N-Post holds up to abuse from lawn and other maintenance equipment.

Most have built-in stabilizers for rigid support and require no assembly. The angle-cut at bottom of the GP19 and GP26 allows for easy access to underground wires.

Available in FOUR colors, the colorant runs throughout the post. There's no chipping or loss of color.

Our popular **GP19**, **GP26** and **GP37**, come with a supplied separator so you can install low voltage outlets and power in the same post.



CATALOG NUMBER	UPC/DCI/NAED MFG. #018997	19.5" HEIGHT COLOR	UNIT PKG	STD PKG
GP19B	77086	Black	1	6
GP19BR	77087	Bronze	1	6
GP19G	77088	Green	1	6
GP19W	77089	White	1	6

CATALOG NUMBER	UPC/DCI/NAED MFG. #018997	26" HEIGHT COLOR	UNIT PKG	STD PKG
GP26B	77090	Black	1	6
GP26BR	77092	Bronze	1	6
GP26G	77094	Green	1	6
GP19W	77096	White	1	6

CATALOG NUMBER	UPC/DCI/NAED MFG. #018997	37" HEIGHT COLOR	UNIT PKG	STD PKG
GP37B	76153	Black	1	4
GP37BR	76154	Bronze	1	4
GP37G	76156	Green	1	4
GP37W	76155	White	1	4

Add suffix "GC" to catalog number when ordering for use in Canada (i.e. GP19BGC)

**Convenient!**  
Install a Fixture and a Power or Low Voltage outlet, *Outside*.



Add supplied separator for low voltage on one side...

and power on the other.



Scan QR code to see our full GARD-N-POST line



**Arlington®**



# FLIP TOP BOX

## EASY, NO GLUE INSTALLATION!

Arlington's Flip Top Box Kits provide multiple options for installing a Listed receptacle with or without USB ports. Choose any of these device options, with a gasketed TRAPDOOR COVER that closes flush – preventing water intrusion and damage to devices in the box.

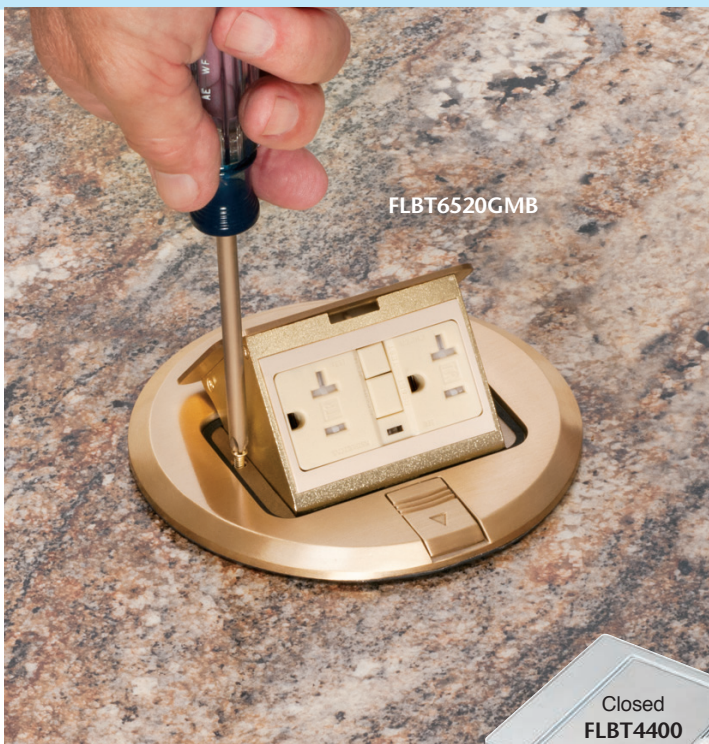
- Combination with (TR) receptacle and two USB ports
- Tamper resistant (TR) receptacle
- OR a Tamper resistant (TR) decorator-style GFCI

Here's the solution to an easy, secure, NO GLUE installation!

The 'bendable' spring clip holds the box securely against the underside of material up to 1-1/2" thick – and inserts easily into the opening.

Available with steel or non-metallic box.

### Choose the cover and device that works the best for you





# Flip Top Box Kits with Trapdoor Covers

## Square Steel Boxes or Round Non-metallic

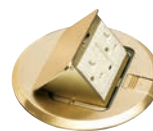
### Round Plastic Box with ROUND Metal Covers

CATALOG NUMBER	UPC/DEI/NAED MFG. #018997	DESCRIPTION METAL COVER FINISH	INSTALLED UL LISTED DEVICE	UNIT/STD PKG
FLBT6520UMB	22056	Brass	20A decorator-style TR receptacle, with (2) USB ports	1
FLBT6520MB	22112		20A decorator-style Tamper Resistant receptacle	1
FLBT6520GMB	22110		20A decorator-style Tamper Resistant GFCI receptacle	1
FLBT6520UNL	22057	Nickel-plated	20A decorator-style TR receptacle, with (2) USB ports	1
FLBT6520NL	22113		20A decorator-style Tamper Resistant receptacle	1
FLBT6520GNL	22111		20A decorator-style Tamper Resistant GFCI receptacle	1

Arlington's **FLIP TOP BOX KITS** with **Round Plastic Boxes** and round metal covers – or **Rectangular Steel Boxes** with stainless steel or black covers come with three device options.

Both cover styles close flush, keeping water out and preventing damage to devices in the box.

ROUND covers also **hide miscut openings** and **allow parallel installation.**



FLBT6520UMB



FLBT6520UNL

with 20A decorator-style TR receptacle w (2) USB ports

FLBT6520MB, FLBT6520GMB, FLBT6520NL, FLBT6520GNL  
Not shown

### Easy to install



1 Determine box location. Cut 5" diameter hole. Insert box. Bend clip as necessary to go through opening.



2 Tighten two #10 screws inside box to secure box ...



3 ...and draw the box securely against the underside. **NO GLUING!**



4 Wire receptacle. Install trapdoor cover with screws provided. *Rotate the round cover into desired position.*

### Steel Box

#### with RECTANGULAR Stainless Steel or Black TRAPDOOR COVERS

CATALOG NUMBER	UPC/DEI/NAED MFG. #018997	DESCRIPTION FLIP TOP BOX KITS	INSTALLED cULus LISTED DEVICE	UNIT/STD PKG
FLBT4400USS	00752	Steel box with installed UL Listed device.	20A decorator-style TR receptacle, with (2) USB ports	1
FLBT4400SS	00751		20A decorator-style TR receptacle	1
FLBT4400GSS	00753	Stainless steel trapdoor cover	Tamper and Weather Resistant (TWR) 20A decorator-style GFCI receptacle	1
FLBT4400UBL	00771	Steel box with installed UL Listed device.	20A decorator-style TR receptacle, with (2) USB ports	1
FLBT4400BL	00768		20A decorator-style TR receptacle	1
FLBT4400GBL	00770	Black trapdoor cover	Tamper and Weather Resistant (TWR) 20A decorator-style GFCI receptacle	1



FLBT4400USS



FLBT4400SS



FLBT4400GSS



Black  
FLBT4400GBL



Arlington®



## Floor Box Kits

### Flush to Floor Device, Receptacle Installations

# FLOOR BOX KITS

## KITS • BOXES • TRIM KITS • ACCESSORIES

Arlington offers a full line of Floor Box Kits, Boxes, Cover Trim Kits and Accessories for nearly any job site condition or application – new concrete, new construction and retrofit projects.

Our FLOOR BOX KITS offer installers the low cost, convenient way to install a receptacle in the floor – with a cover that's *flush with the floor*.

The floor box kits in this brochure are of special interest to the low voltage installer as they are combination boxes with power and

low voltage in the same box. For added convenience many of our boxes and covers are interchangeable with other manufacturers products.

We offer non-metallic or steel boxes...with metal or non-metallic covers in a variety of colors and finishes!

Visit our website to see the entire line:  
[www.aifittings.com](http://www.aifittings.com)



**FLOOR BOX  
PRODUCT  
SELECTOR**



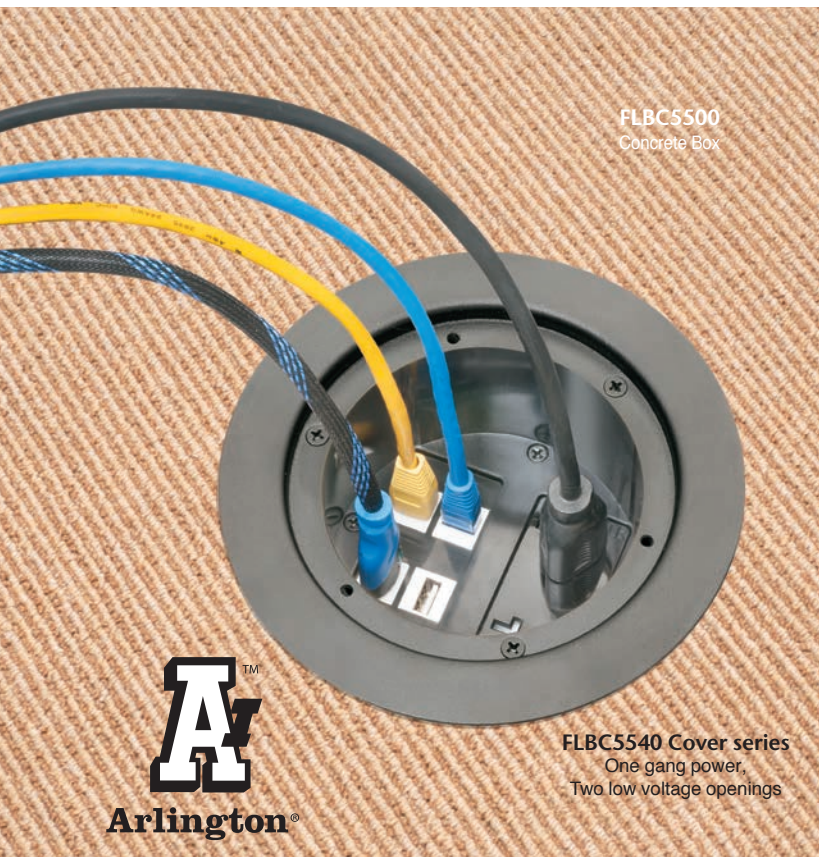
**FLBR5420MB**  
IN BOX® Floor Box Kit



**FLB5552MB**  
Power/Low Voltage Combo Box



**FLB6242MB**  
One gang power,  
One gang low voltage



**FLBC5500**  
Concrete Box

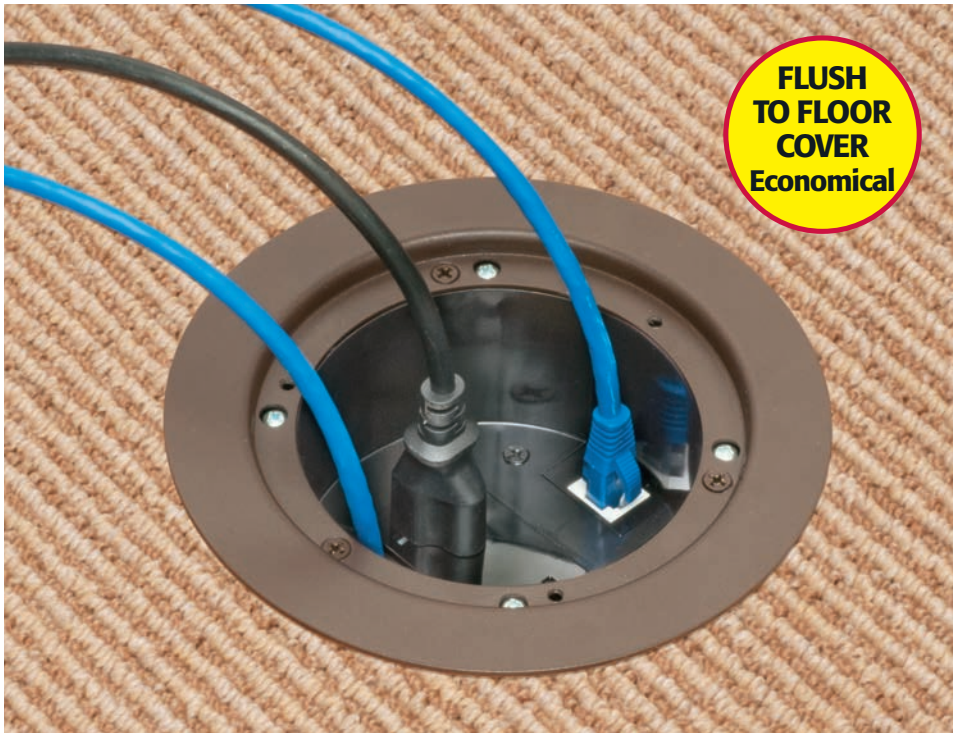
**FLBC5540 Cover series**  
One gang power,  
Two low voltage openings



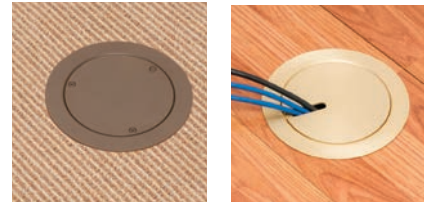


# IN BOX® Floor Box Kit for Existing Floors

## Recessed Wiring Device • Low Voltage Ports, Listed Receptacle



Arlington's **FLBR5420** series **Recessed Floor Box Kits** offer great features, like two low voltage openings, an ultra-thin stamped steel flange, and flush-to-the-floor in-use and blank covers.



Here's the solution for cost-savings and easy installation of a receptacle and low voltage connections in an existing, hard surface floor.

Because the flange is ultra thin and the wiring device is recessed these floor boxes reduce the trip hazard caused by plugs protruding from the box.

You can have power and TWO low voltage openings, in the same box, without the need for a divider. That's convenience!

Installation is quick and easy with a 5" hole saw. Four mounting wing screws attach the 24.5 cubic inch box securely to the floor.

- cULus Listed 20A tamper-resistant decorator-style receptacle.
- SIX Cover finishes/colors  
**Metal** in brass-plated, nickel-plated and antique bronze-plated zinc. And **powder-coated** in black, brown and light almond.



1 With a hole saw cut a 5" diameter hole through flooring and subfloor.



2 Use cover plate screws to secure box to floor flange assembly. Install low voltage devices into pre-installed LV keystone holder.



3 Install low voltage tie-off brackets to back of box (screws supplied). If desired, use cable ties to attach low voltage cables.



4 Place floor box into hole. Orient as desired. Tighten wing screws to secure box to floor.

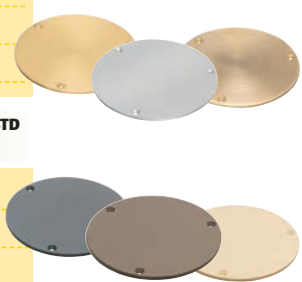
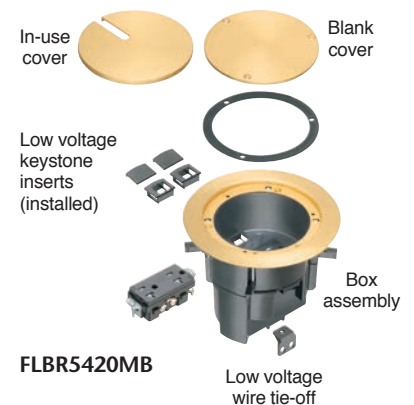


CATALOG NUMBER	UPC/DEI/NAED MFG. #018997	DESCRIPTION	FINISH	UNIT/STD PKG
		RECESSED FLOOR BOX _FLBR5420	PLATED	PKG
FLBR5420MB	21191	Plated zinc cover, steel flange	Brass	1
FLBR5420NL	21192	Plated zinc cover, steel flange	Nickel	1
FLBR5420AB	21269	Plated zinc cover, steel flange	Antique bronze	1

CATALOG NUMBER	UPC/DEI/NAED MFG. #018997	DESCRIPTION	FINISH	UNIT/STD PKG
		RECESSED FLOOR BOX _FLBR5420	POWDER CTD	PKG
FLBR5420BL	21266	Powder coated zinc cover, steel flange	Black	1
FLBR5420BR	21267	Powder coated zinc cover, steel flange	Brown	1
FLBR5420LA	21268	Powder coated zinc cover, steel flange	Lt Almond	1

Add suffix "GC" to catalog number when ordering for use in Canada (i.e. FLBR5420MBGC)

Kits include 24.5 cu. inch non-metallic recessed box, cULus Listed, black tamper resistant 20A decorator-style receptacle, (2) installed low voltage keystone holder inserts, (2) blank inserts, blank cover w/ gasket, in-use slotted plug cover, (3) #8 x 5/8" flat head screws, (1) NM cable connector, (2) low voltage tie-off brackets, (2) #8 x 1/2" sheet metal screws



Patented • Made in USA

**Arlington®**

# Arlington Manufacturing Facility in Scranton, PA



**Arlington designs and produces more than 85% of its innovative and labor-saving products in Scranton, Pennsylvania USA.**

Check out our website to learn more about Arlington's low voltage products, the easy way!

[www.aifittings.com](http://www.aifittings.com)



**Arlington®**

1 Stauffer Industrial Park  
Scranton, PA 18517  
800/233.4717  
Fax 570/562.0646  
[www.aifittings.com](http://www.aifittings.com)



©2009 Arlington Industries, Inc. REV0822/25M

[www.aifittings.com](http://www.aifittings.com)