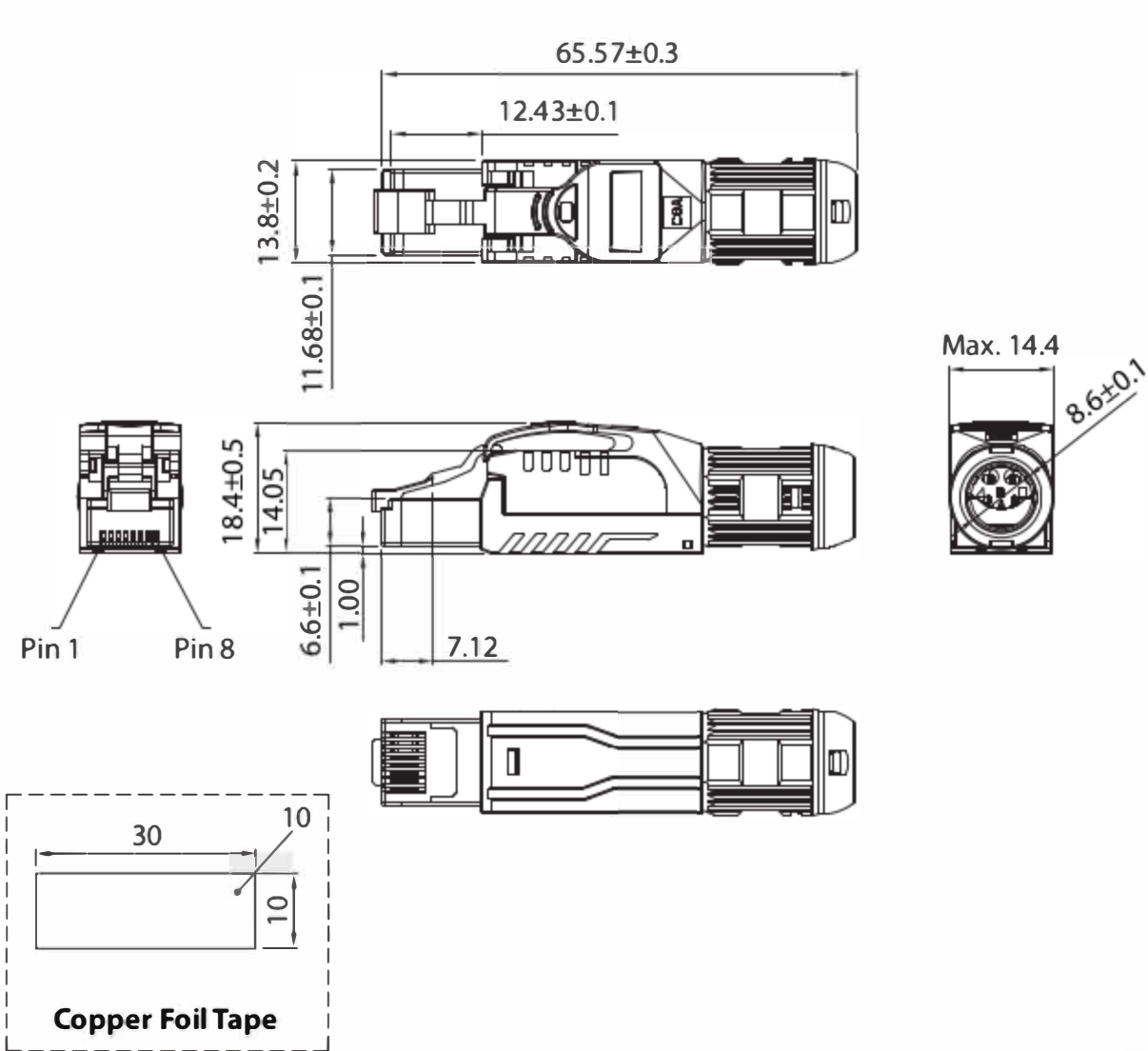


Material:

- 1. Extractor: PC, UL 94V-2
- 2. Housing: Zinc die-cast with nickel plating
- 3. RJ45 Plug:
 - 3-1. Housing: PC, UL 94V-2, black color
 - 3-2. Contact Material: Phosphor Bronze with 100 micro-inch nickel plating
 - 3-3. Contact Finish: 50 micro-inch gold plated on surface contact area
- 4. Cover: Zinc die-cast with nickel plating
- 5. Wire Management Bar: PC, white color, UL 94V-2
- 6. IDC:
 - 6-1. Housing: PC, white color, UL 94V-2
 - 6-2. Terminal: Titanium copper with tin plating
- 7. Grounding Contact: Zinc die-cast with nickel plating
- 8. Boot:
 - 8-1. Housing: Zinc die-cast with nickel plating
 - 8-2. SR: PC, UL 94V-2, black color
 - 8-3. Cap: PC, UL 94V-2, black color
- 9. PCB, UL 94V-V0
- 10. Copper foil tape



Performance:

- 1. T568A and T568B wiring
- 2. Insertion Force: 30N maximum (IEC 60603-7)
- 3. Retention Strength: 7.7kg between jack and plug
- 4. Operating Temperature: 14°F - 140°F (-10°C to 60°C) (ISO/IEC 11801, ANSI/TIA 568 C.2)
- 5. Life (Mating Cycles):
 - 5-1. 750 cycles minimum (ISO/IEC 11801, IEC 60603-7)
 - 5-2. IDC: Suitable for 23-26AWG stranded and solid wire, minimum 20 installation cycles