

tii 344, 345, 348 & 349

Station Protectors

Fully Encapsulated Module

BIG MAC® Utility Enclosure

Expandable to Two-Pair

Reduces Maintenance Costs

Listed to UL 497



tii 345, 348, 349

The tii Total Failsafe® Station Protectors are the basic components of tii Station Protectors and consist of a tii Surge Protector module in a 160G BIG MAC® Utility Enclosure, with molded in-ground stud.

KEY PRODUCT BENEFITS

- ▶ The tii BIG MAC® Utility Enclosure is molded of durable, weather-resistant thermoplastic that is made to resist cracking, crazing, and discoloration.
- ▶ Cover is designed to fit securely to the base to provide maximum protection against environmental conditions and the intrusion of any foreign matter.
- ▶ For added security, the cover can be sealed in the field with a tie wrap or similar device.
- ▶ The base includes a flexible grommet to seal the wiring exit area, allowing room for drop, ground, and station wiring.
- ▶ A threaded stud provides a common ground point for grounding and bonding the shield of buried drop, and securing one or two tii protector modules.
- ▶ All tii Total Failsafe® station protector housings may be ordered with one or two protector modules installed.
- ▶ A one-pair can be upgraded to a two-pair station protector by the simple addition of a second protector module. This saves both maintenance time and the need to either add a second single-pair station protector or replace it with a two-pair station protector.
- ▶ tii Station protectors are engineered to provide the superior performance required in protecting today's technology.
- ▶ The tii 348 comes equipped with the tii 355 TFS® Maximum Duty three-electrode protector module installed.
- ▶ The tii 349 comes equipped with the tii 356 TFS® Maximum Duty three-electrode protector module installed.
- ▶ The tii 345 comes equipped with the tii 126 Heavy Duty two-electrode protector module installed.
- ▶ Other tii station protector modules may be provided for the 344 enclosure. Please refer to the back of this data sheet for ordering information.

INDUSTRY STANDARDS

- ▶ Listed to UL 497.



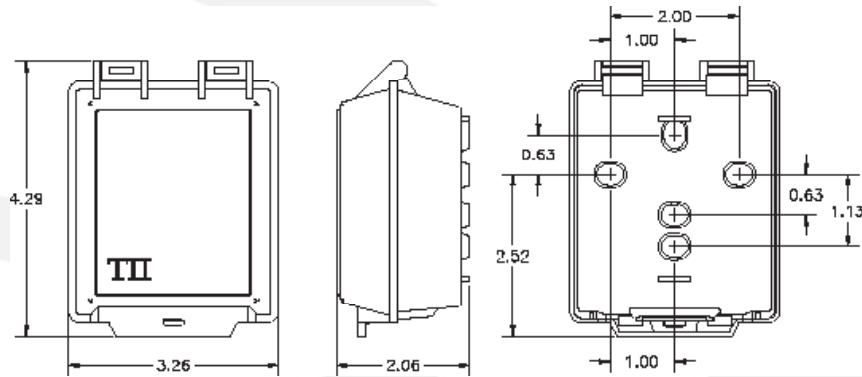
tii network technologies

141 Rodeo Drive
Edgewood, NY 11717
T. 631.789.5000
Toll Free 888.844.4720
F. 631.789.5063
sales@tiinettech.com

www.tiinettech.com

PLEASE REFER TO <http://www.tiinettech.com/> FOR THE LATEST REVISION

tii 344, 345, 348, & 349



ORDERING INFORMATION

| Model No. | Description |
|----------------|------------------------------------------------------------------------------------------------------|
| tii 344-XX-1 | One Pair Total Failsafe® TFS® Station Protector (see protector list below) |
| tii 344-XX-2 | Two Pair Total Failsafe® TFS® Station Protector (see protector list below) |
| | XX = STATION PROTECTORS |
| | 50 = 355MT 71 = AD-01W-FS |
| | 51 = 127M 72 = AD-02W-FS |
| | 53 = 356M2 73 = AD-M2-W-FS |
| | 54 = 356M3 76 = AD-03W-FS |
| tii 345-1(*) | One Pair Total Failsafe® TFS® Station Protector equipped with (1) 126 Protector Module [◊] |
| tii 345-2(*) | Two Pair Total Failsafe® TFS® Station Protector equipped with (2) 126 Protector Modules [◊] |
| tii 348-1MG | One Pair Total Failsafe® TFS® Station Protector equipped with (1) 355 Protector Module [◊] |
| tii 348-2MG | Two Pair Total Failsafe® TFS® Station Protector equipped with (2) 355 Protector Modules [◊] |
| tii 349-1(*)G | One Pair Total Failsafe® TFS® Station Protector equipped with (1) 356 Protector Module [◊] |
| tii 349-2(*)G | Two Pair Total Failsafe® TFS® Station Protector equipped with (2) 356 Protector Modules [◊] |

Insert letter L or M in place of ().

"M" designates a protector module meeting RUS and PEG and other industry requirements.

"L" designates a protector module meeting specific Bell System Requirements.

Both "L" and "M" types are UL Listed.

[◊]Please refer to the respective data sheets for description and specifications of the tii TFS® Total Failsafe® Protector modules.

| | |
|-------------------|------------------------------|
| Standard Package: | 50 Pieces |
| Weight: | 0.25 lbs each (housing only) |