

tyco

Electronics

Raychem

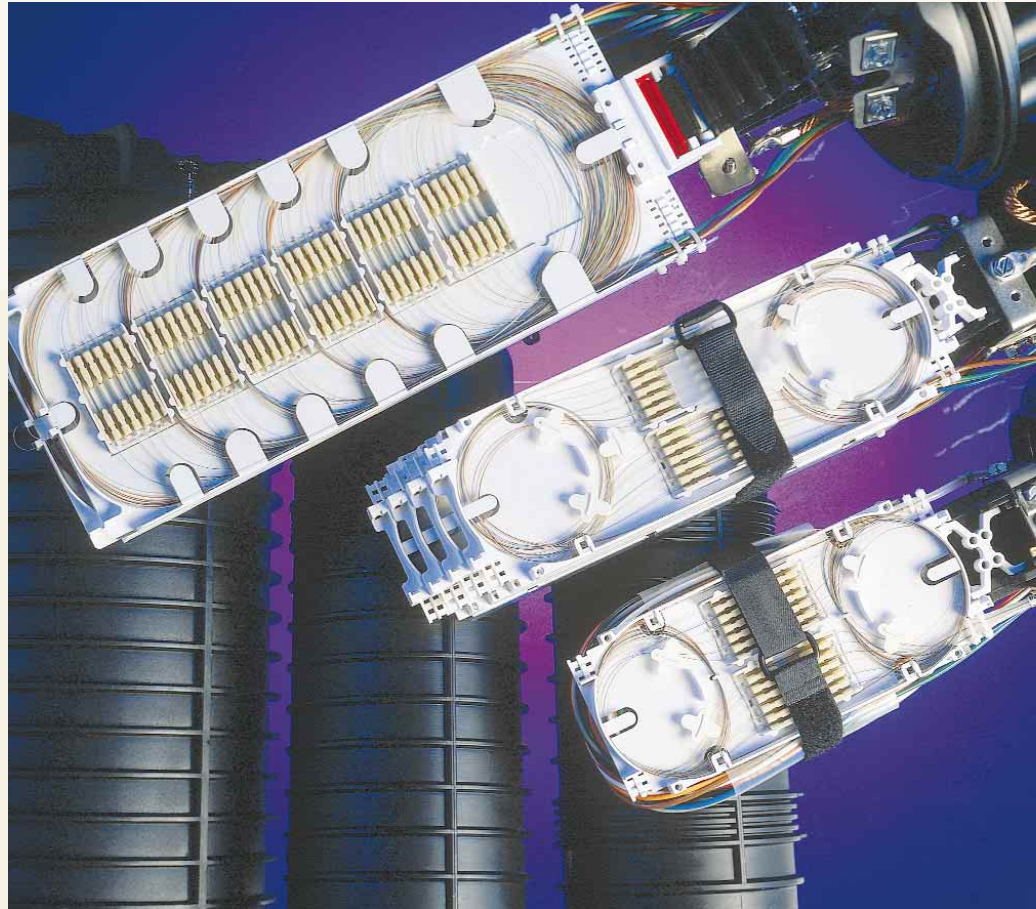
FOSC 400

Fiber Optic Splice Closure

The FOSC name has been synonymous with excellence in sealing, fiber management, ease of use, and design flexibility since the FOSC 100 closure was first introduced in 1986. FOSC closures have always been engineered specifically for fiber optic applications; they are not modified copper closures. The difference shows—ask someone who has worked with the product.

FOSC 400 closures combine proven fiber management hardware with a highly reliable sealing system. Base-to-dome seals on FOSC 400 closures are mechanical for ease of installation and re-entry, and cable seals feature a unique Raychem heat-shrink sleeve and hot-melt adhesive system that is installed with a hot-air gun. Common materials, accessories, and practices are used throughout the product line to simplify training, reduce inventory, and enhance productivity.

FOSC 400 fiber optic splice closures are available in three sizes; the FOSC 400 A, FOSC 400 B, and FOSC 400 D. All sizes are designed for use with any cable construction (loose buffer tube, central core tube, loose fiber, and ribbon), in any environment (aerial, pedestal, buried, handhole, and manhole), and for numerous splice applications (express, tap-off, branch, and repair).

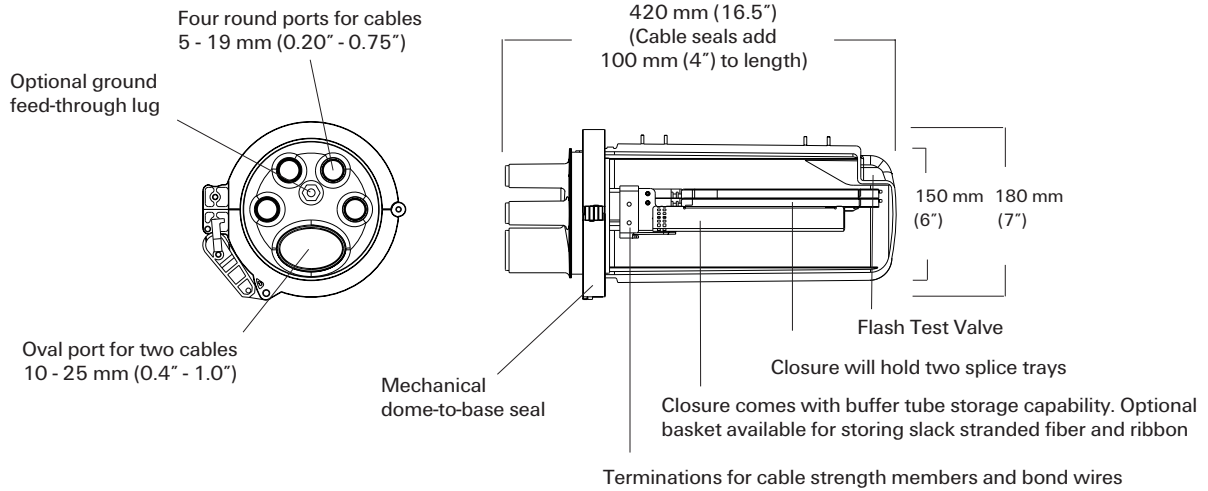


FOSC 400

FOSC 400 A4 Closure

This is the smallest of the FOSC 400 closures. It is intended for low fiber count cable splices and "tap-off" splices. Tap-off splices are those where most of the fibers in a cable are "expressed" uncut through the closure and only a few fibers are cut and re-spliced to feed a building or Optical Network Unit (ONU). The FOSC 400 A4 closure comes ready to store expressed loose buffer tubes. An optional slack storage basket is available for express stranded fiber and ribbon fiber.

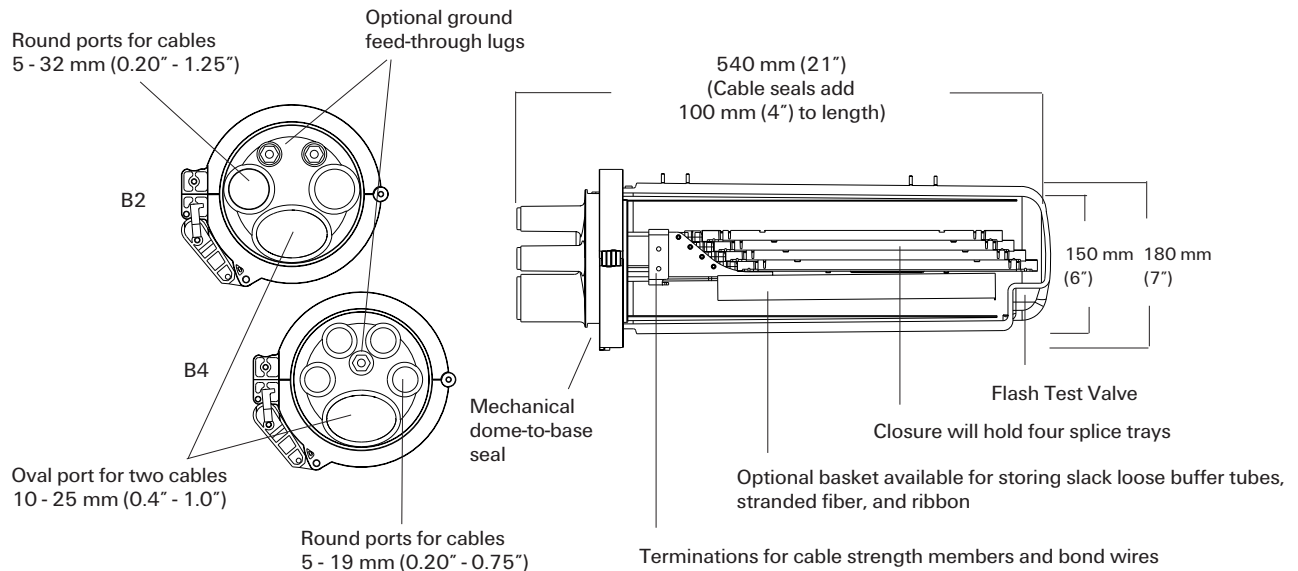
As with all FOSC 400 closures, the slack storage and splice capacity of the FOSC 400 A4 closure depends on a number of factors including cable construction, splice type, and slack fiber lengths. Refer to the Closure Capabilities chart that follows for more details.



FOSC 400 B2 and FOSC 400 B4 Closures

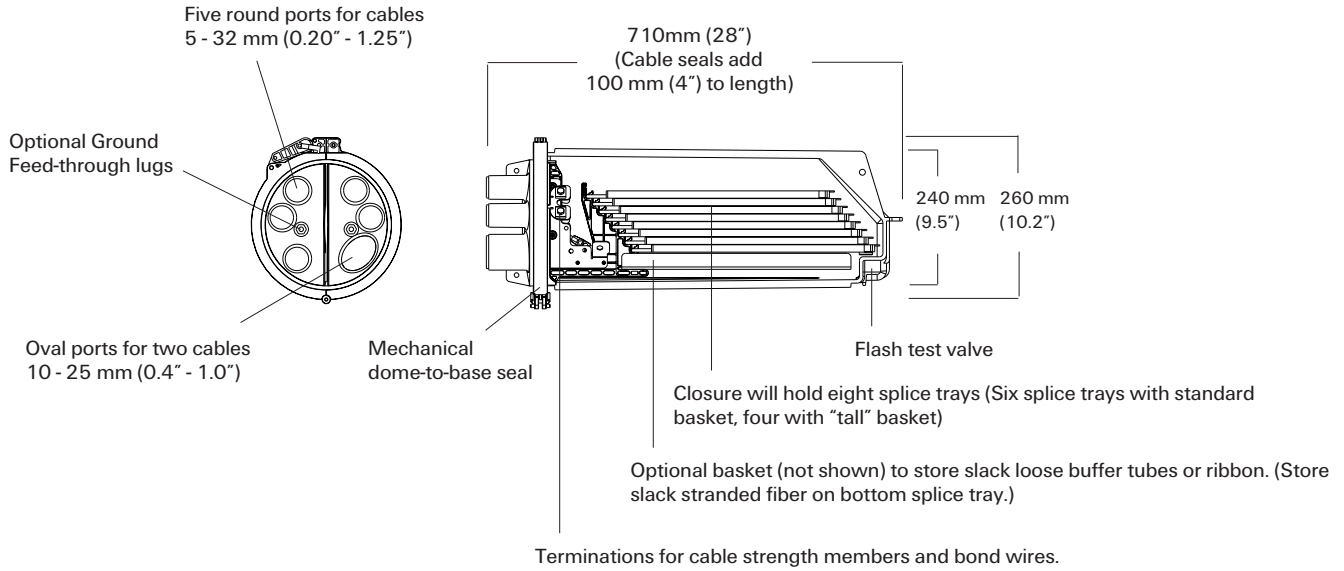
These two closures are identical except for their end cable port configurations. In addition to a large oval port for the main distribution cable, the B2 closure has two large round ports for branch cable splices and the B4 closure has four small round ports for multiple drop applications.

The FOSC 400 cable sealing system provides a great deal of flexibility. For example, four small cables can be terminated in the two round ports of a B2 closure with the use of branch-off clips. It is also possible to terminate three cables in the oval port of either closure.



FOSC 400 D5 Closure

This is the largest of the FOSC 400 closures. It has one oval port, five large round ports and can terminate seven cables (or up to twelve cables with the use of branch-off clips). The splice capacity is 288 single mechanical, 576 single fusion, or 1728 mass fused fibers. The versatile slack basket can store ribbon fiber or expressed, uncut loose buffer tubes.



Note: Installation of cable blocking and grounding components may reduce the size of cable that will fit in a given port.

Closure Capabilities

Closure	Spliced Fiber Storage Capacity			Slack Storage Capacity		
	Single Fusion	Single Mechanical*	Mass Fusion	Buffer Tubes	Stranded Fibers	12 Fiber Ribbons
FOSC 400 D5	576	288	1728	18	96+	144
FOSC 400 B2, B4	96	48	288	8	96	24
FOSC 400 A4	32	24	144	8	96	12

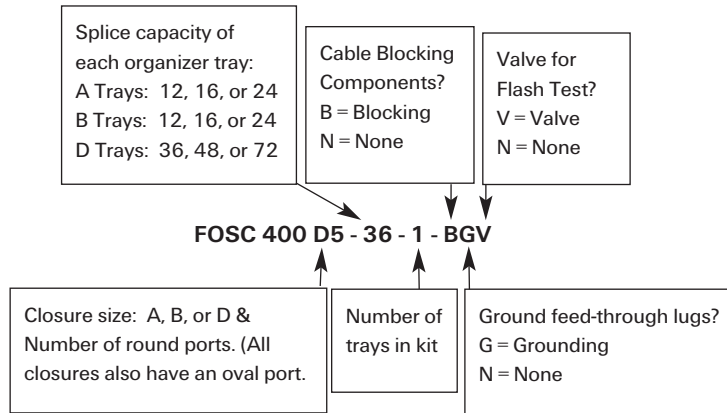
*Varies with splice type. Capacity shown is for most commonly used mechanical splices.

Ordering Information (Request FOSC 400 Ordering Guide for complete details.)

FOSC 400 Fiber Optic Closures and Accessories

Closures

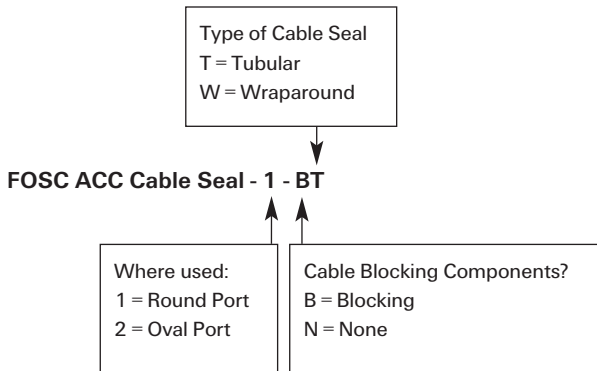
Note: Closure kits are normally ordered with no trays or one tray and include a flash test valve.



Cable Seals

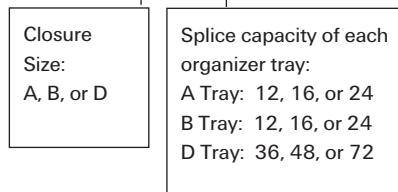
(For any size closure)

Note: Cable seal kits include cable termination components.



Splice Trays

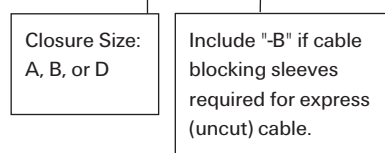
FOSC ACC D Tray 36



Note: Splice trays are packaged two to a box.

Slack Fiber Storage Baskets

FOSC ACC B-Basket (-B)



Note: "D" basket is available in standard and tall sizes. Standard size takes up two tray locations and tall size takes up four tray locations.

Raychem

Telecom OSP Division
8000 Purfoy Road
Fuquay-Varina, NC 27526-9349
Tel: 919 557-8900
Fax: 919 557-8498
www.tycoelectronics.com

Raychem, FOSC 100, and FOSC 400 are trademarks of Tyco Electronics Corporation.

Important: All information, including illustrations, is believed to be reliable. Users, however, should independently evaluate the suitability of each product for their application. Tyco Electronics Corporation makes no warranties as to the accuracy or completeness of the information, and disclaims any liability regarding its use. Tyco Electronics only obligations are those in the Tyco Electronics Standard Terms and Conditions of Sale for this product, and in no case will Tyco Electronics or its distributors be liable for any incidental, indirect, or consequential damages arising from the sale, resale, use, or misuse of the product. Specifications are subject to change without notice. In addition, Tyco Electronics reserves the right to make changes—without notification to Buyer—to processing or materials that do not affect compliance with any applicable specification.