

NEW SWIVEL STUB  
FEATURE

# R399 & AR399 Central Office Connectors

## Key Features

- Maximum density saves space; increases number of protected cable pair per frame vertical
- Narrow block width provides large inter-vertical working space for fast, convenient jumper administration
- Front ground test point offers labor savings and reliability; provides a convenient place to attach an alligator clip without reaching behind the connector
- Accepts industry standard protector modules to permit a wide module selection
- Gold-plated protector module sockets and test field contacts provide superior electrical contact to eliminate noise problems
- Integral field-stubbing bracket saves costs; permits fast, easy field stubbing; no temporary mounting bracket needed
- UL Listed for documented performance

• Swivel stub design for up or down stub configuration facilitates ordering

## Description

The R399 is the highest density 100-pair connector available that utilizes industry standard 5-pin protector modules and is UL Listed to meet specification number UL 497 and is RUS accepted when used with S3AB, 3AB, 6A20, or 3GUVS protector modules. Its compact design, only 8.5-in. high, allows maximum density per frame vertical.

Made of a polycarbonate-blend, connectors can be factory stubbed with 22- or 24-gauge cable in 10-ft. increments, starting at 20 feet. The **swivel** stub is complete with a moisture dam and grounding harness. The connector utilizes a 6AWG grounding harness and is available with or without isolated ground.

The connector is available in either a conventional, R399, or angled version, AR399. The angled version provides greater visibility and access to the protector module field, while retaining front access to both jumper field and test fields.

The front-facing equipment field offers a choice of termination: wire-wrap or bifurcated quick-clips. Front and rear snap-through fanning strips facilitate orderly jumpering and offer highly visible pair count identification. The 100-pair front-facing test field makes testing easy.

The R399 is RUS accepted, UL Listed to meet specification number UL 497, and meets or exceeds the specifications set forth in Bellcore TA-EOP-000164 and GTE GTS 8339 documents.

## Application

The R399 protects personnel and equipment from abnormal voltages and currents on incoming cable pairs. It mounts on central office conventional frames with 8-in. centers, and 2500 and RDS modular frames from Marconi.



R399 Wire Wrap



# R399 & AR399 Central Office Connectors

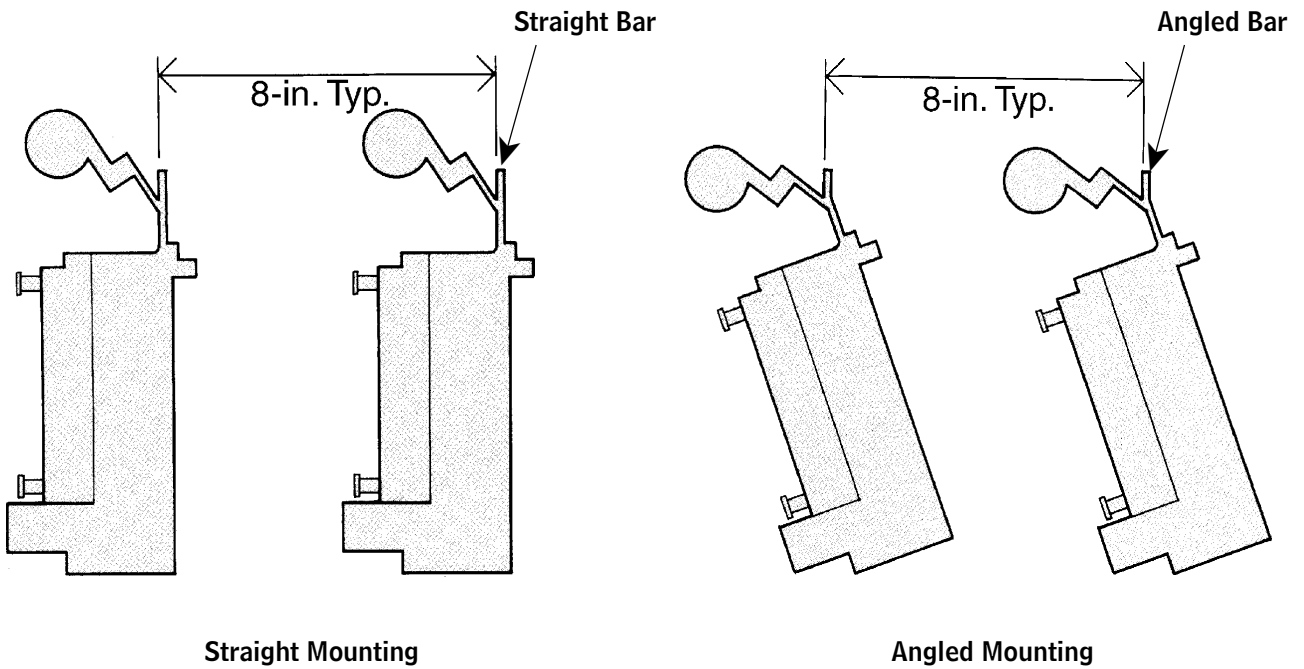
## Dimensions

Connector	Height	Width	Depth
R399	8.5-in. (216mm)	4.0-in. (104mm)	8.0-in. (203mm)

## Specifications

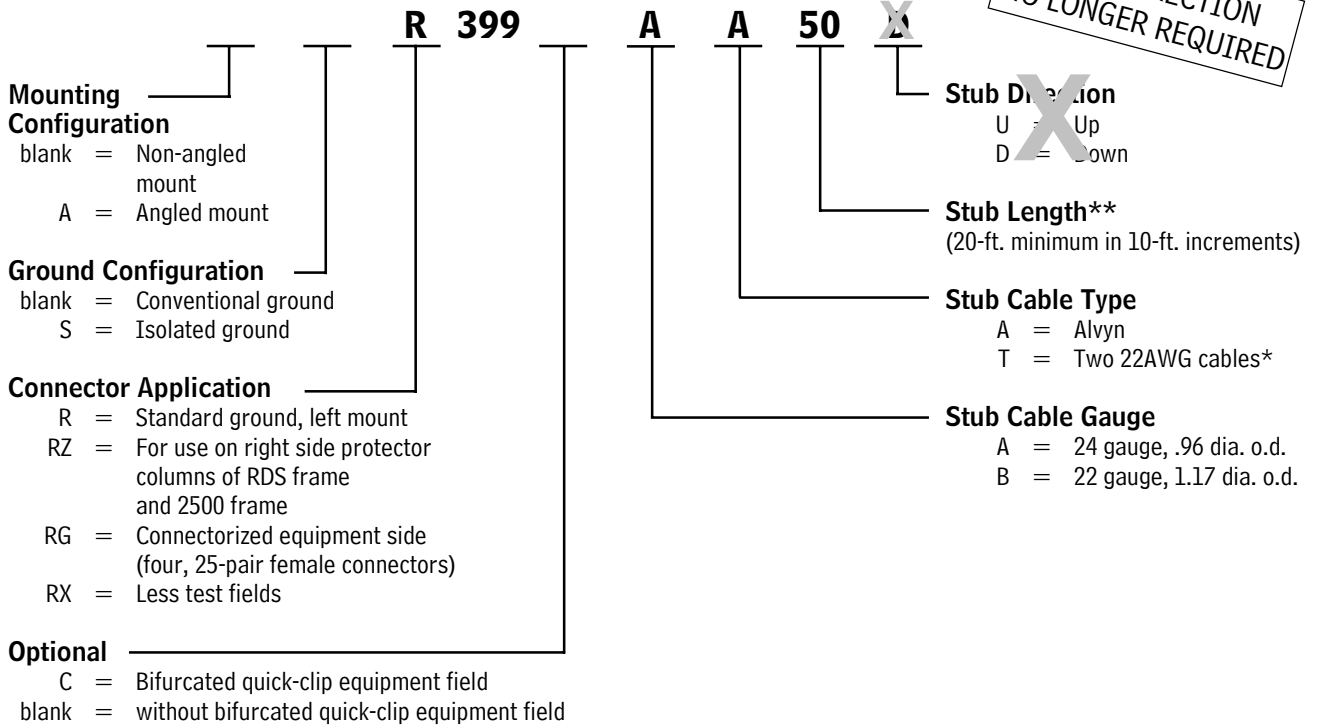
Frame Capacity		
Frame Height	Stub Up*	Stub Down
7-ft.	700 pair	800 pair
8-ft.	900 pair	1000 pair
9-ft.	1000 pair	1100 pair
11.5-ft.	1400 pair	1400 pair

\* Reduction in stub up capacity is due to accommodating cable bend to overhead rack.



# R399 & AR399 Central Office Connectors

## Ordering Information



\* T configuration provides an equivalent to T screen-type cable. Two 50-pair cables are secured together every three feet.  
 \*\* Stubbed units are equipped with a swivel stub for up or down configurations.  
 NOTE: Not all catalog numbers can be configured.

## Stubless Connectors

Catalog Number	Part Number	Description
R399	F249001	Wire-wrap version*
AR399	F400200	Angle mount wire-wrap
SR399	F249304	Isolated ground wire-wrap
R399C	F249501	Bifurcated quick-clip (IDC)
RX399	F249900	Without test field
RX399CG	F249210	Without test field Bifurcated quick-clip (IDC)
RZ399C	F249400	Right mount with bifurcated quick-clips

\* The R399 is RUS accepted when used with S3AB, 3AB, 6A20, or 3GUVS protector modules.

# R399 & AR399 Central Office Connectors

## 24AWG Alvyn Cable

Catalog Number	Part Number	Description	Replaces
R399AA25U	F249035	Wire-wrap connector 25-ft. stub up <b>obsolete</b>	
R399AA25	F249024	Wire-wrap connector 25-ft. swivel stub	R399AA25U & R399AA25D
R399AA50U	F249037	Wire-wrap connector 50-ft. stub up <b>obsolete</b>	
R399AA50	F249008	Wire-wrap connector 50-ft. swivel stub	R399AA50U & R399AA50D
R399AA75U	F249036	Wire-wrap connector 75-ft. stub up <b>obsolete</b>	
R399AA75	F249111	Wire-wrap connector 75-ft. swivel stub	R399AA75U & R399AA75D
R399AA100U	F249048	Wire-wrap connector 100-ft. stub up <b>obsolete</b>	
R399AA100	F249045	Wire-wrap connector 100-ft. swivel stub	R399AA100U & R399AA100D

## Quick Clip 24AWG Alvyn Cable

Catalog Number	Part Number	Description	Replaces
R399CAA20U	F249505	Connector quick-clip 20ft. stub up <b>obsolete</b>	
R399CAA20	F249500	Connector quick-clip 20ft. swivel stub	R399CAA20U & R399CAA20D
R399CAA30U	F249504	Connector quick-clip 30ft. stub up <b>obsolete</b>	
R399CAA30	F249507	Connector quick-clip 30ft. swivel stub	R399CAA30U & R399CAA30D
R399CAA50U	F249520	Connector quick-clip 50ft. stub up <b>obsolete</b>	
R399CAA50	F249513	Connector quick-clip 50ft. swivel stub	R399CAA50U & R399CAA50D
R399CAA60	F249919	Connector quick-clip 60ft. swivel stub	R399CAA60U & R399CAA60D
R399CAA70	F249595	Connector quick-clip 70ft. swivel stub	R399CAA70U & R399CAA70D

## Connectorized 24AWG Alvyn Cable

Catalog Number	Part Number	Description	Replaces
RG399AA20U	F249992	connectorized connector 20ft. stub up <b>obsolete</b>	
RG399AA20	F249981	connectorized connector 20ft. swivel stub	RG399AA20U & RG399AA20D
RG399AA25U	F249991	connectorized connector 25ft. stub up <b>obsolete</b>	
RG399AA25	F249985	connectorized connector 25ft. swivel stub	RG399AA25U & RG399AA25D
RG399AA30U	F249993	connectorized connector 30ft. stub up <b>obsolete</b>	
RG399AA30	F249453	connectorized connector 30ft. swivel stub	RG399AA30U & RG399AA30D
RG399AA50	F253321	connectorized connector 50ft. swivel stub	RG399AA50U & RG399AA50D

# R399 & AR399 Central Office Connectors

## Angle Stubbed 24AWG Alvyn Cable

Catalog Number	Part Number	Description	Replaces
AR399AA20U	F400202	Wire-wrap connector 25ft. stub up <b>obsolete</b>	
AR399AA20	F400201	Wire-wrap connector 25ft. swivel stub	AR399AA20U & AR399AA20D
AR399AA50	F1001775	Wire-wrap connector 50ft. swivel stub	AR399AA50U & AR399AA50D

## Isolated Ground 24AWG Alvyn Cable

Catalog Number	Part Number	Description	Replaces
SR399AA25U	F249352	Wire-wrap connector 25ft. stub up <b>obsolete</b>	
SR399AA25	F249323	Wire-wrap connector 25ft. swivel stub	SR399AA25U & SR399AA25D
SR399AA50U	F249327	Wire-wrap connector 50ft. stub up <b>obsolete</b>	
SR399AA50	F249308	Wire-wrap connector 50ft. swivel stub	SR399AA50U & SR399AA50D
SR399AA75	F249319	Wire-wrap connector 75ft. swivel stub	SR399AA75U & SR399AA75D
SR399AA80	F249354	Wire-wrap connector 80ft. swivel stub	SR399AA80U & SR399AA80D
SR399AA100U	F249344	Wire-wrap connector 100ft. stub up <b>obsolete</b>	
SR399AA100	F249365	Wire-wrap connector 100ft. swivel stub	SR399AA100U & SR399AA100D

## Angled Isolated Ground 24AWG Alvyn Cable

Catalog Number	Part Number	Description	Replaces
ASR399AA40	F249628	Wire-wrap connector 40ft. swivel stub	ASR399AA40U & ASR399AA40D
ASR399AA50	F1001245	Wire-wrap connector 50ft. swivel stub	ASR399AA50U & ASR399AA50D

# R399 & AR399 Central Office Connectors

## 22AWG Alvyn Cable

Catalog Number	Part Number	Description	Replaces
R399BA25U	F249053	Wire-wrap connector 25ft. stub up <b>obsolete</b>	
R399BA25	F249015	Wire-wrap connector 25ft. swivel stub	R399BA25U & R399BA25D
R399BA50U	F249009	Wire-wrap connector 50ft. stub up <b>obsolete</b>	
R399BA50	F249014	Wire-wrap connector 50ft. swivel stub	R399BA50U & R399BA50D
R399BA75U	F249120	Wire-wrap connector 75ft. stub up <b>obsolete</b>	
R399BA75	F249077	Wire-wrap connector 75ft. swivel stub	R399BA75U & R399BA75D
R399BA100U	F249121	Wire-wrap connector 100ft. stub up <b>obsolete</b>	
R399BA100	F249116	Wire-wrap connector 100ft. swivel stub	R399BA100U & R399BA100D

## Quick-Clip 22AWG Alvyn Cable

Catalog Number	Part Number	Description	Replaces
R399CBA20U	F249503	Connector quick-clip 20ft. stub up <b>obsolete</b>	
R399CBA20	F249506	Connector quick-clip 20ft. swivel stub	R399CBA20U & R399CBA20D
R399CBA30U	F249526	Connector quick-clip 30ft. stub up <b>obsolete</b>	
R399CBA30	F249521	Connector quick-clip 30ft. swivel stub	R399CBA30U & R399CBA30D
R399CBA50U	F249525	Connector quick-clip 50ft. stub up <b>obsolete</b>	
R399CBA50	F249458	Connector quick-clip 50ft. swivel stub	R399CBA50U & R399CBA50D
R399CBA60	F249573	Connector quick-clip 60ft. swivel stub	R399CBA60U & R399CBA60D
R399CBA80	F249522	Connector quick-clip 80ft. swivel stub	R399CBA80U & R399CBA80D

## Connectorized 22AWG Alvyn Cable

Catalog Number	Part Number	Description	Replaces
RG399BA50	F247001	Connector connector 50ft. swivel stub	RG399BA50U & RG399BA50D

# R399 & AR399 Central Office Connectors

## Angle Stubbed 22AWG Alvyn Cable

Catalog Number	Part Number	Description	Replaces
AR399BA40	F249665	Wire-wrap connector 40ft. swivel stub	AR399BA40U & AR399BA40D
AR399BA50	F249564	Wire-wrap connector 50ft. swivel stub	AR399BA50U & AR399BA50D
AR399BA75	F249565	Wire-wrap connector 75ft. swivel stub	AR399BA75U & AR399BA75D
AR399BA100	F249566	Wire-wrap connector 100ft. swivel stub	AR399BA100U & AR399BA100D

## Isolated Ground 22AWG Alvyn Cable

Catalog Number	Part Number	Description	Replaces
SR399BA25U	F249302	Wire-wrap connector 25ft. stub up <b>obsolete</b>	
SR399BA25	F249300	Wire-wrap connector 25ft. swivel stub	SR399BA25U & SR399BA25D
SR399BA50U	F249309	Wire-wrap connector 50ft. stub up <b>obsolete</b>	
SR399BA50	F249335	Wire-wrap connector 50ft. swivel stub	SR399BA50U & SR399BA50D
SR399BA75U	F249337	Wire-wrap connector 75ft. stub up <b>obsolete</b>	
SR399BA75	F249346	Wire-wrap connector 75ft. swivel stub	SR399BA75U & SR399BA75D
SR399BA100U	F249355	Wire-wrap connector 100ft. stub up <b>obsolete</b>	
SR399BA100	F249419	Wire-wrap connector 100ft. swivel stub	SR399BA100U & SR399BA100D

## Less Test Field 22AWG Alvyn Cable

Catalog Number	Part Number	Description	Replaces
RX399AA50	F249821	Wire-wrap connector 100ft. swivel stub	RX399AA50U & RX399AA50D
RX399AA100	F249578	Wire-wrap connector 100ft. swivel stub	RX399AA100U & RX399AA100D

Catalog Number	Part Number	Description	Replaces
RX399CAA20U	F249804	Connectorized quick-clip 20ft. up <b>obsolete</b>	
RX399CAA20	F249808	Connectorized quick-clip 20ft. swivel stub	RX399CAA20U & RX399CAA20D
RX399CAA25	F249807	Connectorized quick-clip 25ft. swivel stub	RX399CAA25U & RX399CAA25D
RX399CAA30	F249802	Connectorized quick-clip 30ft. swivel stub	RX399CAA30U & RX399CAA30D

# R399 & AR399 Central Office Connectors

## Accessories

Catalog Number	Part Number	Description
P48271	F548271	100-pr. wall mounting bracket
P43523	F543523	Alignment clip, wire-wrap version
P43674	F543674	Alignment clip, quick-clip version
P46321	F546321	Cable pair ID label
RQC99	F249599	Quick-clip wire insertion/removal tool
3991161	F014059	Single pair test cord with alligator clips
3997137	F014060	Patch test cord
3991160	F014058	Cable pair shorting plug
3991138	F014061	Front tap shoe pair tester for 100-pr.
3991162	F014088	Test field insulator button

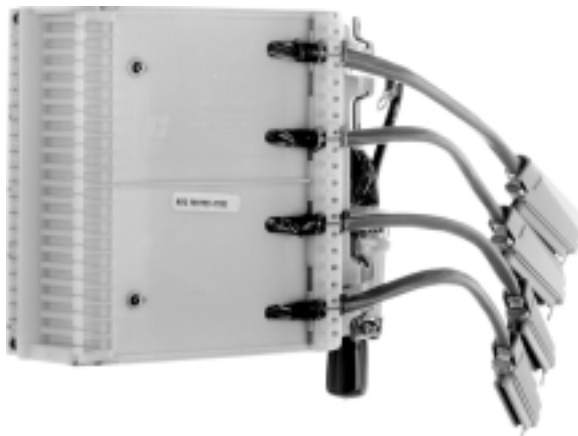
NOTE: See the Protection section for protector modules, the Accessories section for test equipment accessories, and the CO & Remote Frames Systems section for mounting bars.



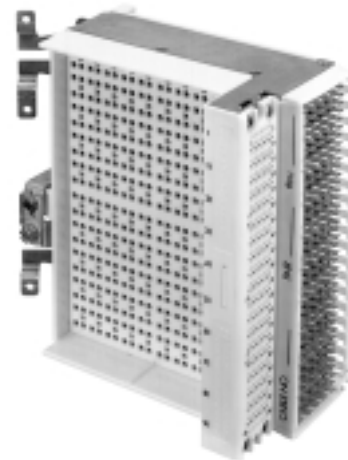
**P46321**



**RQC99**



**RG399  
Connectorized R399**



**R399 Bifurcated  
(Stubless Shown)**



www.marconi.com  
 Marconi Communications  
 4350 Weaver Parkway  
 Warrenville, IL 60555  
 630-579-5000  
 Fax: 630-579-5050

© 2000 Marconi Communications Inc.  
 Printed in the USA. All rights reserved. Any unauthorized reproduction or transmission without the prior consent of Marconi Communications Inc. is prohibited.