

UPCBD8000 Fiber/Copper Splice Housing Outdoor Terminal

Key Features

- Rugged metal housing made of mill-galvanized steel for durability and low maintenance costs
- Our unique multi-stage paint process meets or exceeds EPA standards, and provides a tough corrosion resistant finish for longer life
- Double-access hinged doors offer easy access to all conductors
- Removable base cover provides simplified installation
- Adjustable splice bars permit flexibility in dressing of conductors and splices
- Door gasketing provides weatherproof protection for internal components
- Buckle latch locking mechanism with padlock provision ensures security from unauthorized entry
- Built-in pad-mounting capability in the base allows installation flexibility for multiple applications
- RUS accepted bonding/grounding system
- RUS Listed

Description

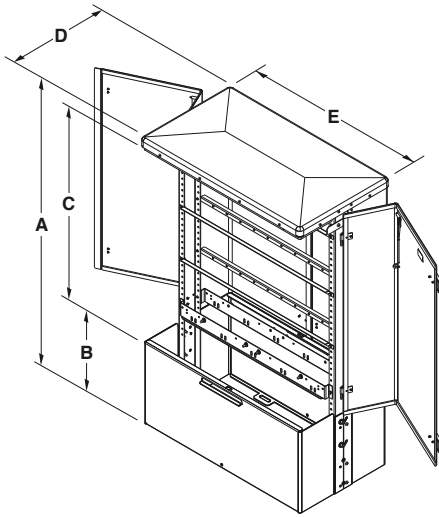
The UPCBD8000 is a round-cornered rectangular-design copper/fiber splice or equipment enclosure accepted for use by the RUS. The UPCBD8000 may be used for high pair-count splices, cross-connect interface, fiber equipment, loop treatment electronics, and combined connection applications. This unit includes adjustable splice bars, two bonding and grounding bars, and pad-mounting hardware. Brackets for pad-mounting are built into the front and the rear bases. Although pad-mounting is recommended, stake-mounting holes are also provided.

Application

The UPCBD8000 serves as an RUS accepted above-ground housing for large PIC cable splices, load coils, loop treatment devices, cross-connections, and combined connection applications. The UPCBD8000 closure can also be used to house most fiber splice enclosures. By removing the metal splice bars, ample space for fiber slack storage is available.



UPCBD8000 Fiber/Copper Splice Housing Outdoor Terminal



Dimensions*

A	B	C	D	W
50-in.	14-in.	34-in.	18-in.	32-in.

* Thirty-five mounting locations on the vertical columns are spaced 1-in. apart, for use with 1/4-14" x 1/2" long self-threading hardware. The distance between the left and right column hole centers is 29.90-in.

Ordering Information

Catalog Number	Part Number	Description	Splice
UPCBD8000	F604058	Gray-green splice enclosure	7200 pair

NOTE: Total number of pairs spliced is dependent on the connector and local practices.

Accessories

Catalog Number	Part Number	Description
MS1342	F604080	42-in. mounting stake, 10/pkg.**

** Use when pad mounting is not desirable.

Emerson Network Power.

The global leader in enabling Business-Critical Continuity™.

- AC Power
- Embedded Power
- Precision Cooling
- Connectivity
- Infrastructure Management & Monitoring
- Racks & Integrated Cabinets
- DC Power
- Outside Plant
- Services
- Embedded Computing
- Power Switching & Controls
- Surge Protection

Emerson Network Power
Energy Systems

4350 Weaver Parkway, Warrenville, IL 60555
Toll Free: 800-800-1280 (USA and Canada)
Telephone: 440-246-6999 Fax: 440-246-4876
Web: EmersonNetworkPower.com/OSP

© 2010 Emerson Network Power Energy Systems,
North America, Inc. All rights reserved.

Emerson®, Emerson Network Power™, Business-Critical Continuity™, NetReach™, NetSpan™ and NetXtend™ are trademarks of Emerson Electric Co. and/or one of its subsidiaries.

Printed in USA

