

## 4048D Splice Closure



### Product Description

The Multilink Starfighter™ 4048D Fiber Optic Dome Splice Closure is an “all parts” inclusive hermetically sealed splice enclosure designed for ease of assembly and re-entry. The closure is designed with a gasketed split end plate for mid-access cable applications and includes an integrated slack storage basket, interlocking splice trays via a modified keyhole style stacking module, and an easy to install no special tool sealing system. All major hardware is factory installed to allow for quick field installation. Universal Multicentric Grommets along with compression style lateral or branch cable seals, makes installing the enclosure easy to assemble. The 4048D is a medium capacity closure that can be used in aerial, pedestal, and underground applications.

### General Specifications

<b>Dimensions:</b>	19.29" L x 8.5" Dia.
<b>Cable Entry:</b>	(2) Express/Feeder (4) Branch or Lateral
<b>Capacity:</b>	(4) 4048-SSTP Splice Trays (6) Cables (96) Single Splices OR (192) Ribbon Splices
<b>Express Dia:</b>	<b>Max</b> .75" (19mm)   <b>Min</b> .30" (7.62mm)
<b>Branch Dia:</b>	<b>Max</b> .63" (16mm)   <b>Min</b> .27" (6.9mm)
<b>Weight:</b>	7.5 lbs. (3.4kg)
<b>Material:</b>	Dome, Polyester, End Plates Glass Filled Polypropylene, Draw Latch Clamp Polypropylene

#### Contact Us

North America	Europe, Middle East & Africa	Latin & South America
Tel: +1 440 366 6966	Tel: +1 440 366 6966	Tel: +1 954 499 9203
Fax: +1 440 366 6802	Fax: +1 440 366 6802	Mobile: +1 305 684 2388
Email: engsupport@gomultilink.com	Email: engsupport@gomultilink.com	Email: hquinones@gomultilink.com



## Ordering Information

### 4048D Splice Closure

<u>Stock ID</u>	<u>Description</u>
10-8365	Fiber Optic Dome Splice Enclosure w/ 1 Splice Tray
020-049-10	Fiber Optic Dome Splice Enclosure w/ Splice Tray & 6 ground lugs
10-9126	Fiber Optic Dome Splice Enclosure w/ Pedestal
10-8007	4048-SSTP Splice Tray 24 Single/48 Ribbon Splice Capacity
10-8362	Aerial Hanger Kit
072-001-10	Wall / Pole Mounting Kit
072-002-20	ADSS Mounting Kit
10-8181	Cable Addition Kit
10-7166	Compression Wrench for 3/4" NPT Fittings Aluminum
065-058-10	Slack Rack Steel/Powder Coated, Black

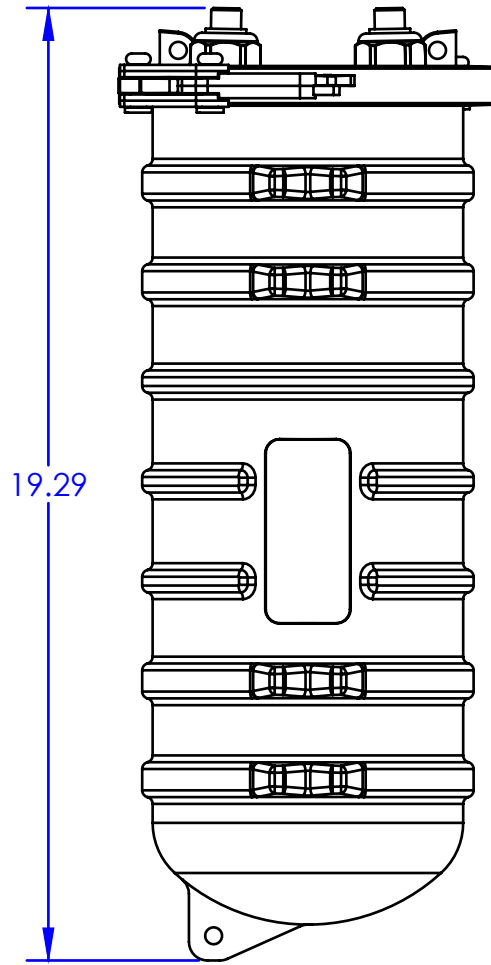
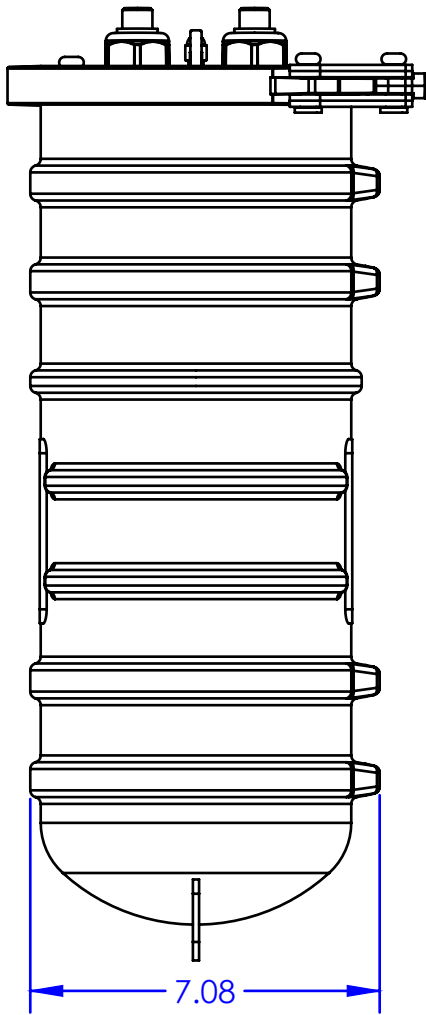
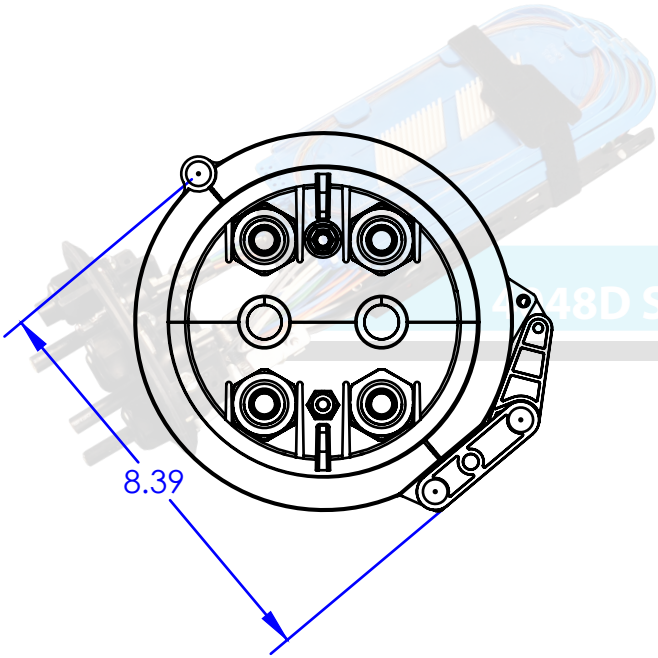
## Cable Entry Grommets

<u>Stock ID</u>		<u>Description</u>
<u>Each</u>	<u>10 Pack</u>	
10-8084	10-8096	4 port Insert .20" to .24" (5mm to 6mm)
10-8087	10-8106	4 port Insert .16" to .20" (4mm to 5mm)
10-8085	10-8097	3 port Insert .24" to .28" (6.1mm to 7.1mm)
10-8090	10-8109	3 port Insert .16" to .20" (4mm to 5mm)
10-8091	10-8110	2 port Insert .25" to .29" (6.3mm to 7.4mm)
10-8088	10-8107	1 port Insert .27" to .31" (6.85mm to 7.87mm)
10-8092	10-8111	3 port Flat cable Insert (Corning, Alcatel, Sumitomo, drop cable)

NOTE: Other multiport cable seal inserts are available; please contact Customer Service for more information

### Contact Us

North America	Europe, Middle East & Africa	Latin & South America
Tel: +1 440 366 6966	Tel: +1 440 366 6966	Tel: +1 954 499 9203
Fax: +1 440 366 6802	Fax: +1 440 366 6802	Mobile: +1 305 684 2388
Email: engsupport@gomultilink.com	Email: engsupport@gomultilink.com	Email: hquinones@gomultilink.com



**Contact Us**

North America	Europe, Middle East & Africa	Latin & South America
Tel: +1 440 366 6966	Tel: +1 440 366 6966	Tel: +1 954 499 9203
Fax: +1 440 366 6802	Fax: +1 440 366 6802	Mobile: +1 305 684 2388
Email: engsupport@gomultilink.com	Email: engsupport@gomultilink.com	Email: hquinones@gomultilink.com