

### **Product Description**

The Multilink Starfighter 4024-D Fiber Optic Dome Splice Closure is an “all parts” inclusive hermetically sealed splice enclosure designed for ease of assembly and re-entry. The closure is designed with a gasket split end plate for mid-access cable applications and an easy to install “no special tool” sealing system. All major hardware is factory installed to allow for quick field installation. Universal Multicentric™ Grommets along with compression style lateral or branch cable seals, makes installing the enclosure easy. The 4024-D is a small capacity closure that can be used in aerial, pedestal, and underground applications.

### **Key Features**

- Easy to assemble. Closure comes with all parts required to build a splice, including a universal splice tray, an air valve, (3) cable sealing and grounding kits, and an external grounding attachment.
- Reduces part number management. Closure can be purchased with splice trays included all under one part number.
- Reduces grommet inventory. Multicentric™ Grommet fits cable diameters up to 0.75” eliminating need for additional grommets.
- Reduces operating costs by allowing customers to purchase additional capacity only when needed.
- Reduces closure inventory. The closure is suitable for a wide variety of installation and mounting applications.
- Meets Industry specifications.
- Split End Plate design allows for mid-span cable access.
- Four branch or lateral cable ports designed to support single or multiple cable entries.
- End plate gasket system for ease in entry.
- Compression sealing system for branch or lateral ports provides both sealing and strain relief.
- One-piece express or feeder cable retention kit with strain relief hardware.
- Can accommodate strand, wall, pedestal, or ADSS mounting brackets. Brackets purchased separately.

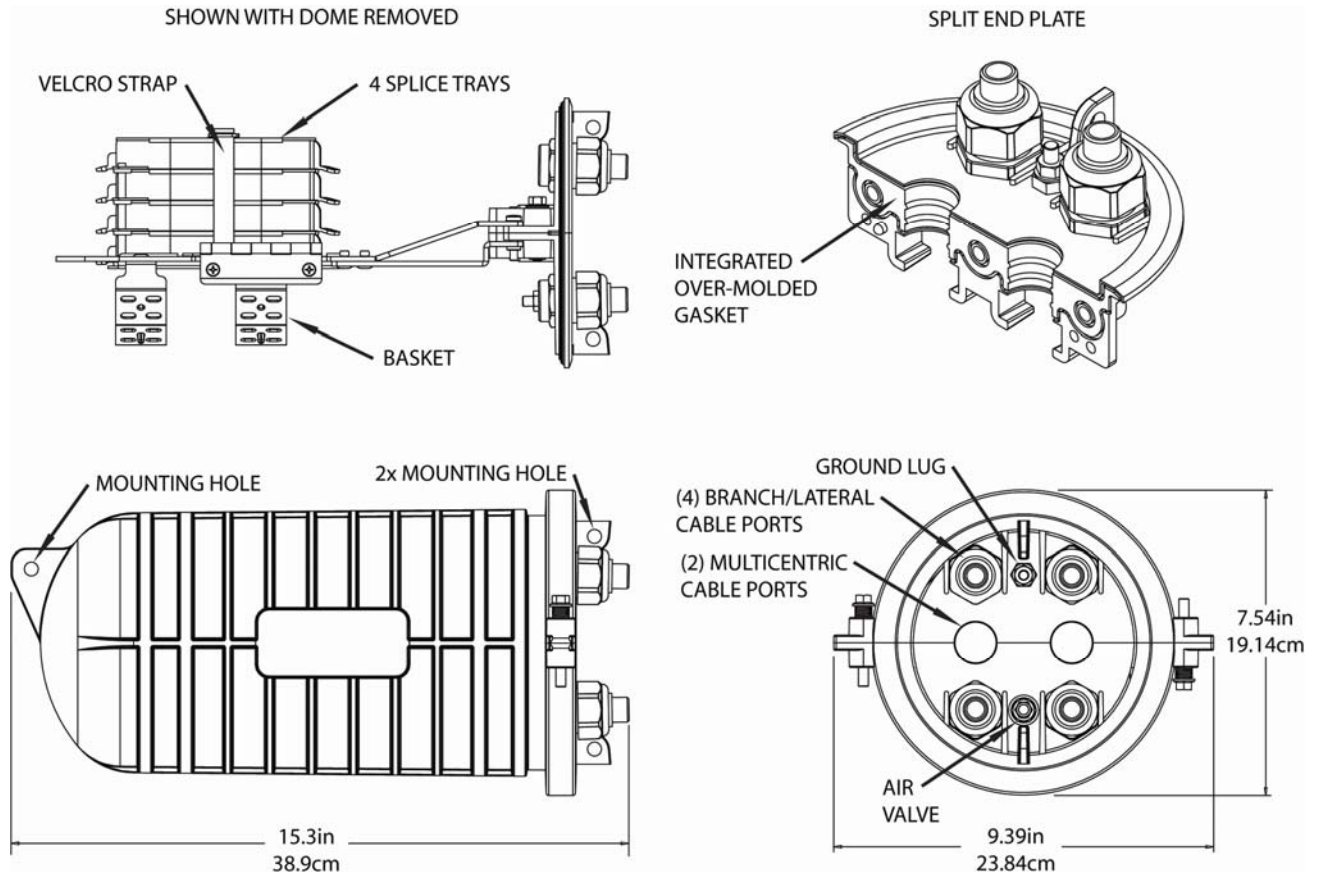


# Starfighter™ 4024-D Fiber Optic Dome Splice Enclosure

## General Specifications

|                                |  |
|--------------------------------|--|
| Exterior Closure Length:       | 15.3" (38.9cm)   |
| Exterior Closure Diameter:     | 6.59" (16.7cm)   |
| Cable Entry:                   | (2) Express/Feeder<br>(4) Branch or Lateral*   |
| Express/Feeder Cable Diameter: | Ø0.75" (19mm) Maximum<br>Ø0.30" (7.6mm) Minimum  |
| Branch/Lateral Cable Diameter: | Ø0.63" (16mm) Maximum<br>Ø0.27" (6.9mm) Minimum  |
| Weight:                        | 6.5lbs (3kg)   |
| Material:                      | Dome - Polyethylene<br>End Plates - Glass filled Polypropylene<br>V-Band - Polypropylene |

\*Multiport Cable Seals are available to support up to 16 or more fiber drops for FTTH Applications.





# Starfighter™ 4024-D Fiber Optic Dome Splice Enclosure

## Capacity


|                                 |  |
|---------------------------------|--|
| Splice Trays:                   | 4 (612-SSTP)   |
| Standard Cables:                | 6 (For multiple cable per port capacity, see Multiport Grommet ordering information) |
| Standard Single Fusion Splices: | 48 (using 612-SSTP)  |

## Ordering Information

| Part Number        | Description  |
|--------------------|--|
| 020-059-10         | 4024-D Starfighter™ Dome Splice Closure with (1) Splice Tray |
| <b>Accessories</b> |  |
| 065-209-10         | 612-SSTP Splice Tray, 12 Single Fusion Splices               |
| 10-8362            | 4024-D-AHK Aerial Hanger Kit                                 |
| 072-002-10         | 4024-D-W/P Wall/Pole Mounting Kit                            |
| 072-002-20         | 4024-D-SS ADSS Mounting Kit                                  |
| 10-8181            | 4024-D-CAK Cable Addition Kit                                |
| 10-7166            | COMP Wrench for 3/4" NPT Fittings, Aluminum                  |

### Multiport Grommet Inserts

| Single Stock ID | 10 Pack Stock ID | Number of Cables/Drop | Cable Ø Range                   |
|-----------------|------------------|-----------------------|---------------------------------|
| 10-8084         | 10-8096          | 4                     | Ø0.20" - 0.24" (5mm – 6mm)      |
| 10-8087         | 10-8106          | 4                     | Ø0.16" - 0.20" (4mm – 5mm)      |
| 10-8085         | 10-8097          | 3                     | Ø0.24" - 0.28" (6.1mm – 7.1mm)  |
| 10-8090         | 10-8109          | 3                     | Ø0.16" - 0.20" (4mm – 5mm)      |
| 10-8092         | 10-8111          | 3                     | Ob-Round 0.325" x 0.180"        |
| 10-8091         | 10-8110          | 2                     | Ø0.25" - 0.29" (6.3mm – 7.4mm)  |
| 10-8088         | 10-8107          | 1                     | Ø0.27" - 0.31" (6.9mm – 7.9mm)  |
| 10-9999         | 10-5414          | 1                     | Ø0.32" - 0.46" (8.1mm – 11.7mm) |



**Phone** (440) 366-6966  
**Fax** (440) 366-6802  
**E-mail** [engsupport@multilink1.com](mailto:engsupport@multilink1.com)  
 24 Hour Voice Messaging  
 Worldwide Distribution  
[www.multilinkone.com](http://www.multilinkone.com)