

**4000D Splice Closure**

## Product Description

The Starfighter 4000-D Dome Splice Closure is designed for above or below grade applications and supports up to 6 or more cable entries. The closure has a unique gasketed Split End Plate system that allows for midaccessing cable up to 1.125" in diameter. Branch or lateral cables can be added to any one of four compression seal entry ports. Multiple cables (up to 6) can also be installed utilizing multi-port grommets available for the closure. The closure requires no special tools, adhesives, or mastics for installation. Integrated slack storage and hinged trays allow for maximum storage and access of fiber and fiber bundles. Splice capacity of 288 single fusion splices using the 4072-SSTP tray 36 splice.

## General Specifications

- Dimensions:** 24.63" L x 11.92" Dia.
- Cable Entry:** (2) Express/Feeder  
(4) Branch or Lateral
- Capacity:** (8) 4048-SSTP or 4072-SSTP Splice Trays  
(6) Cables  
(192) Single Splices OR (288) Single Splices
- Express Dia:** **Max** 1.12" (28.5mm) | **Min** .375" (9.5mm)
- Branch Dia:** **Max** .98" (24.9mm) | **Min** .30" (7.62mm)
- Weight:** 12.5 lbs. (5.67kg)
- Material:** Dome, Polyester, End Plates Glass Filled Polypropylene, Draw Latch Clamp Polypropylene

### Contact Us

North America	Europe, Middle East & Africa	Latin & South America
Tel: +1 440 366 6966	Tel: +1 440 366 6966	Tel: +1 954 499 9203
Fax: +1 440 366 6802	Fax: +1 440 366 6802	Mobile: +1 305 684 2388
Email: engsupport@gomultilink.com	Email: engsupport@gomultilink.com	Email: hquinones@gomultilink.com



## 4000D Splice Closure

### Ordering Information

<u>Stock ID</u>	<u>Description</u>
10-8146	Dome Splice Enclosure w/ one 4072-SSTP Splice Tray
020-046-10	Dome Splice Enclosure w/ one 4072-SSTP & 6 ground lugs
020-002-20	Dome Splice Enclosure w/ one 4048-SSTP Splice Tray
10-8007	4048-SSTP 24 Fiber Splice Tray
065-001-10	4072-SSTP 36 Fiber Splice Tray
10-5324	4000-D-AHK Aerial Hanger Kit
10-5335	4000-D-WPK Wall or Pole Mounting Bracket/Kit
072-002-20	4000-D-SS ADSS Mounting Kit
10-6028	4000-D-CAK Cable Addition Kit
10-7167	Compression Wrench for 1" NPT Fittings Aluminum
10-6635	4000-D Assembly Stand

### Cable Entry Grommets

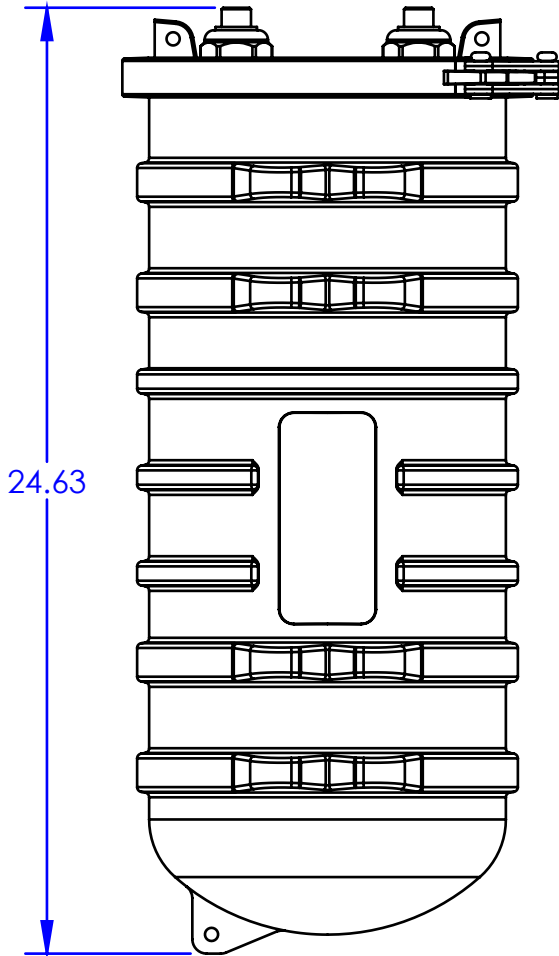
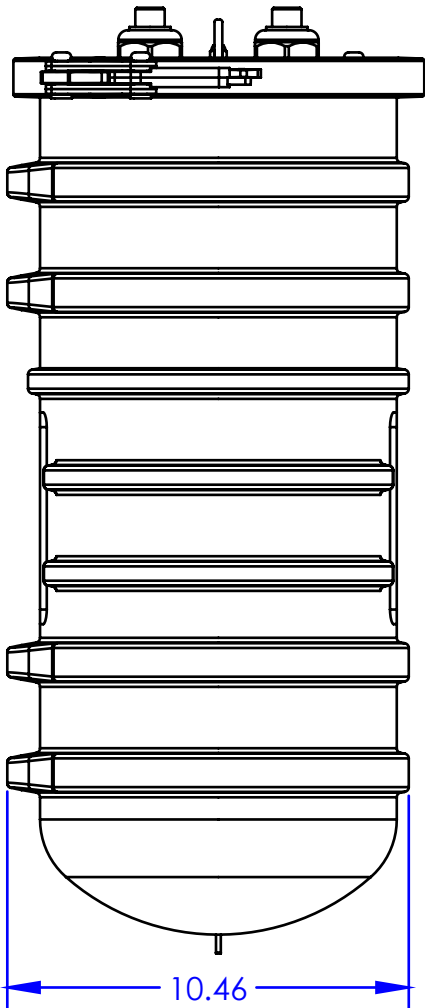
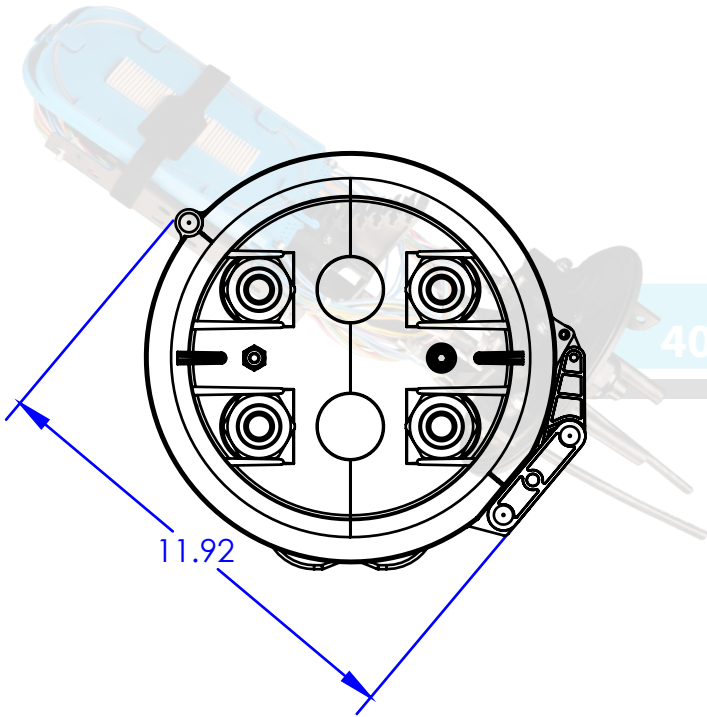
<u>Stock ID</u>		<u>Description</u>
<u>Each</u>	<u>10 Pack</u>	
10-5134	10-5420	4 port Flat Cable Insert
10-5130	10-5483	4 port Insert .370"
10-6002	10-6003	4 port Insert .350"
10-6552	10-6553	4 port Insert .300"
10-5129	10-5419	6 port Insert .265"
10-6550	10-6551	8 port Insert .150"
10-5128	10-5422	1 port Insert .51" - .79"
10-5127	10-5421	1 port Insert .41" - .5"
10-5552	10-5553	1 port Insert .3" - .4"

NOTE: Other multiport cable seal inserts are available; please contact Customer Service for more information

#### Contact Us

North America	Europe, Middle East & Africa	Latin & South America
Tel: +1 440 366 6966	Tel: +1 440 366 6966	Tel: +1 954 499 9203
Fax: +1 440 366 6802	Fax: +1 440 366 6802	Mobile: +1 305 684 2388
Email: engsupport@gomultilink.com	Email: engsupport@gomultilink.com	Email: hquinones@gomultilink.com

4000D Splice Closure



Contact Us

North America	Europe, Middle East & Africa	Latin & South America
Tel: +1 440 366 6966	Tel: +1 440 366 6966	Tel: +1 954 499 9203
Fax: +1 440 366 6802	Fax: +1 440 366 6802	Mobile: +1 305 684 2388
Email: engsupport@gomultilink.com	Email: engsupport@gomultilink.com	Email: hquinones@gomultilink.com